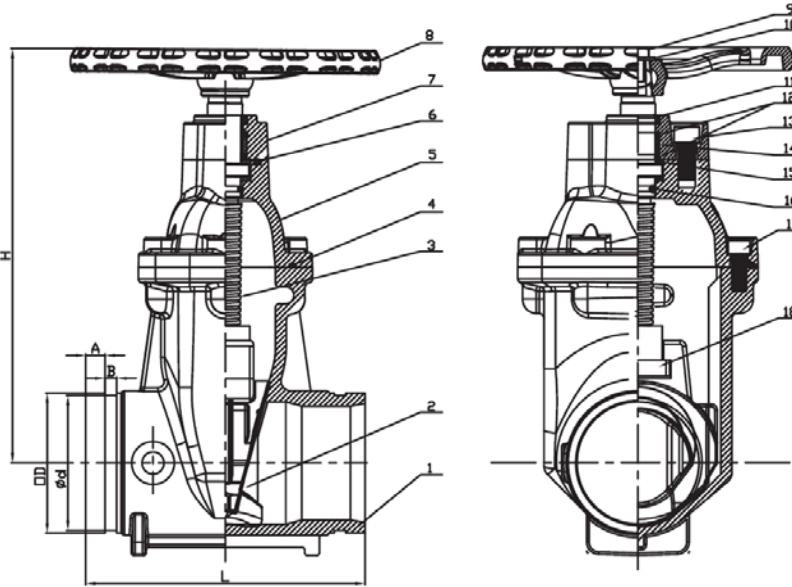




MATERIAL SPECIFICATION



PART NO.	Description	Material Specification	Options
1	Valve Body	Ductile Iron ASTM A536 , 65-45-12	
2	Resilient Wedge Disc	Ductile Iron ASTM A536,65-45-12+EPDM	
3	Stem	Stainless steel 316	Stainless steel AISI 304/431, Bronze ASTM B584
4	Bonnet Gasket	EPDM ASTM D2000	NBR ASTM D2000
5	Bonnet	Ductile Iron ASTM A536 , 65-45-12	
6	O-Ring	NBR ASTM D2000	EPDM ASTM D2000
7	Gland	Ductile Iron ASTM A536 , 65-45-12	
8	Hand wheel	Ductile Iron ASTM A536 , 65-45-12	
9	Bolt	Stainless steel 316	Stainless steel 304
10	Flat Washer	Stainless steel 316	Stainless steel 304
11	Ring Washer	EPDM ASTM D2000	NBR ASTM D2000
12	O-Ring	NBR ASTM D2000	EPDM ASTM D2000
13	Nut	Stainless steel 316	Stainless steel 304
14	Axis Guide	Brass ASTM B-283 C37700	
15	Washer	Brass ASTM B-283 C37700	
16	O-Ring	NBR ASTM D2000	EPDM ASTM D2000
17	Nut	Stainless steel 316	Stainless steel 304
18	Wedge Nut	Brass ASTM B-283 C37700	Bronze ASTM B-584 Alloy C89833

Note: For special material request other than standard specification, please indicate clearly on the inquiry or order list.

- Connection Ends: Groove AWWA C606
- Working Pressure: 300PSI
200PSI and 250PSI available upon request
- Temperature Range: 0°-80°C
- Coating: Fusion Bonded Epoxy Coating in accordance with ANSI/AWWA C550 or painting upon request.

DN	Dimensions(Inch)					
	L	H	OD	d	A	B
2"	7.0	10.00	2.37	2.25	0.63	0.31
2.5"	7.5	10.83	2.87	2.72	0.63	0.31
3"	8.0	11.85	3.50	3.34	0.63	0.31
4"	9.0	13.98	4.50	4.33	0.63	0.37
5"	10.0	15.47	5.56	5.39	0.63	0.37
6"	10.5	17.64	6.63	6.46	0.63	0.37
8"	11.5	21.57	8.63	8.44	0.75	0.44
10"	13.0	24.65	10.75	10.56	0.75	0.50
12"	14.0	28.43	12.75	12.53	0.75	0.50



DRAWN BY: Cindy Zhang	DRAWING # JMZ85X	AWWA C515 Grooved Resilient NRS Gate Valve	
CHECKED BY: Cherry Chen		Series NO.: JMZ85X	
APPROVED BY: Meng Xiang	ISSUE DATE 160427-17	 KINGER INDUSTRY INC.	REV.00.