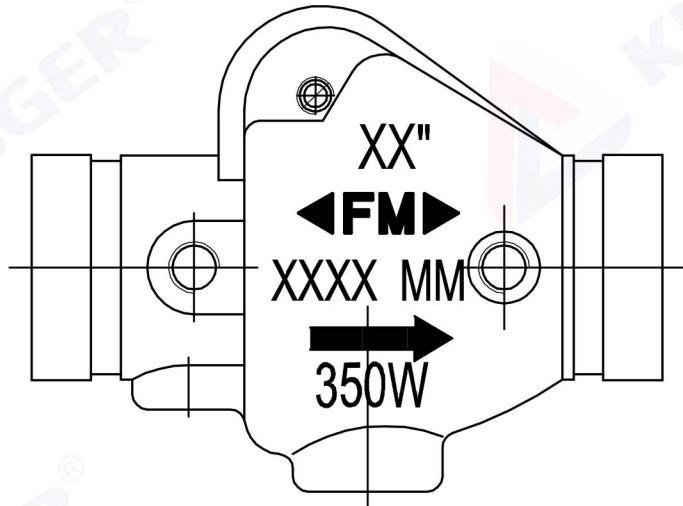
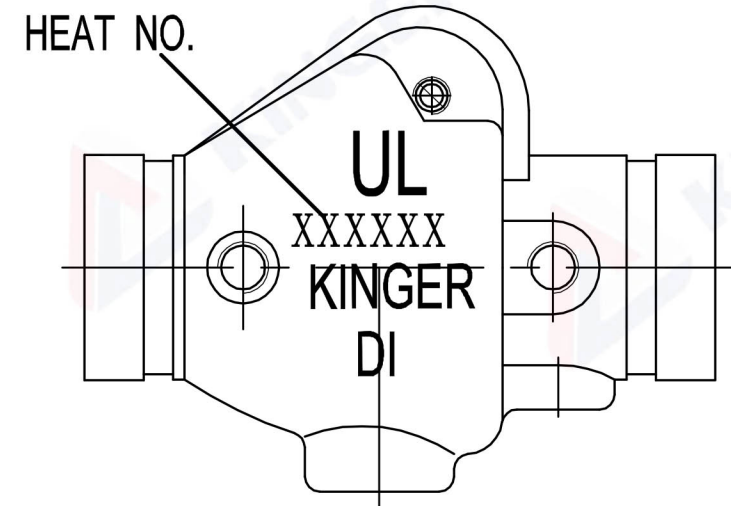
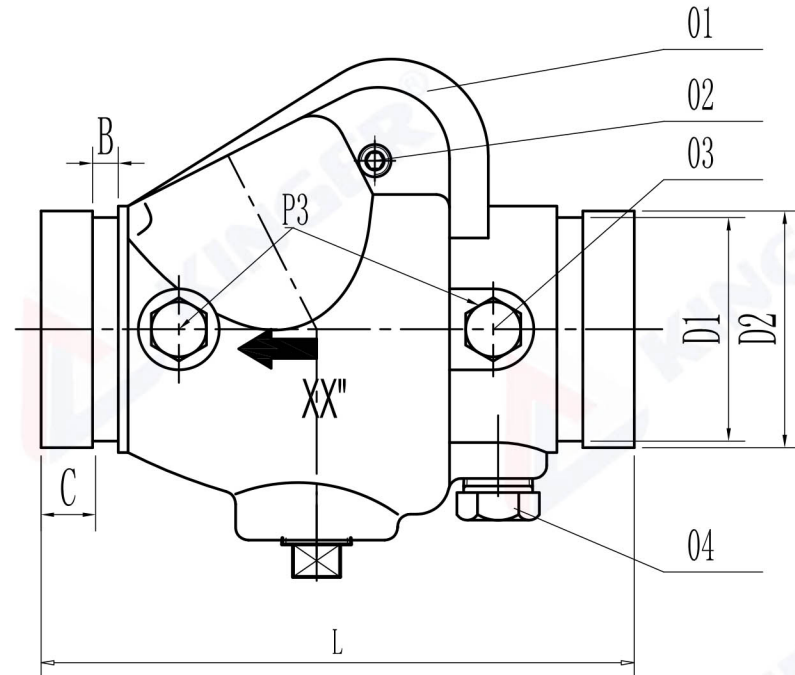
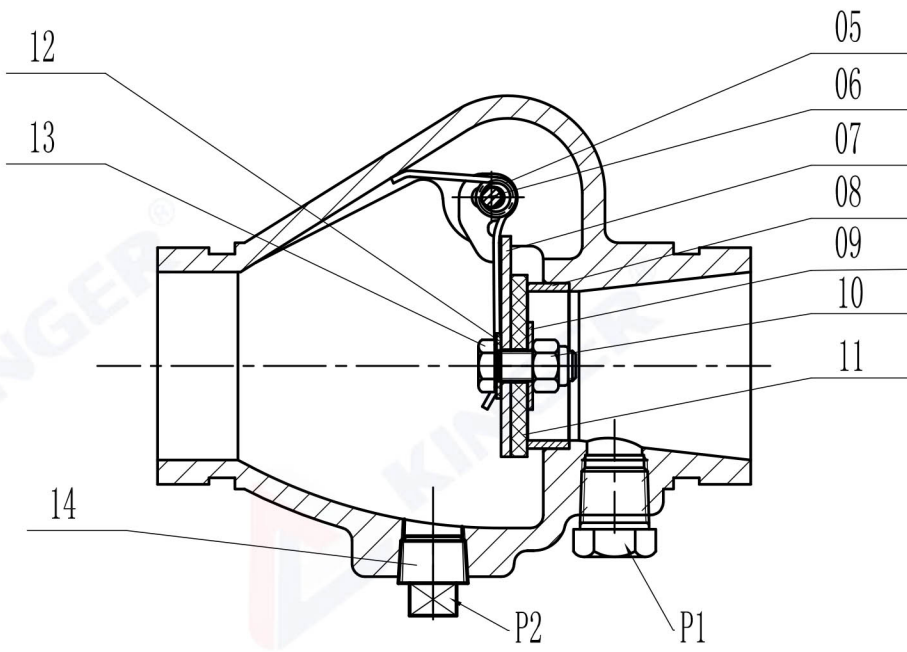


APPLICABLE STANDARD	
End Connection	AWWA C606
Working Temperature	32°F -176°F
Medium	Water

TESTING DETAILS	
DESCRIPTION	TEST PRESSURE
SHELL TEST	700PSI
SEAT TEST	700PSI



PART NO.	Description	Material Specification
1	Body	Ductile Iron ASTM A536
2	Bolt	1045 ASTM A29 Galvanized
3	Plug	1045 ASTM A29 Galvanized
4	Plug	1045 ASTM A29 Galvanized
5	Spring	Stainless Steel 304 ASTM A276
6	Hinge Pin	Stainless Steel 304 ASTM A276
7	Clapper	Stainless Steel 304 ASTM A276
8	Seat	ASTM B148 C95400
9	Clamping Ring	Stainless Steel 304 ASTM A276
10	Locknut	Stainless Steel 304 ASTM A276
11	Facing Seal	EPDM ASTM D2000
12	Gasket	EPDM ASTM D2000
13	Bolt	Stainless Steel 304 ASTM A276
14	Plug	1045 ASTM A29 Galvanized

Item No.	Dimensions(Inch)															
	Size	L	D1	D2	B	C	P1				P2				P3	
JKDCV-350G02	2"	6.65	2.250	2.375	0.312	0.625	1/2-14-NPT	1/2-14-NPT	3/4-14-NPT	1-11.5-NPT	1 1/4-11.5-NPT	1 1/2-11.5-NPT	2-11.5-NPT	1/4-18-NPT	3/8-18-NPT	1/2-14-NPT
JKDCV-350G025	2.5"	7.13	2.720	2.875	0.312	0.625	1/2-14-NPT	1/2-14-NPT	3/4-14-NPT	1-11.5-NPT	1 1/4-11.5-NPT	1 1/2-11.5-NPT	2-11.5-NPT	1/4-18-NPT	3/8-18-NPT	1/2-14-NPT
			2.845	2.996												
JKDCV-350G03	3"	7.80	3.344	3.500	0.312	0.625	1/2-14-NPT	1/2-14-NPT	3/4-14-NPT	1-11.5-NPT	1 1/4-11.5-NPT	1 1/2-11.5-NPT	2-11.5-NPT	1/4-18-NPT	3/8-18-NPT	1/2-14-NPT
JKDCV-350G04	4"	8.43	4.334	4.500	0.375	0.625	1/2-14-NPT	1/2-14-NPT	3/4-14-NPT	1-11.5-NPT	1 1/4-11.5-NPT	1 1/2-11.5-NPT	2-11.5-NPT	1/4-18-NPT	3/8-18-NPT	1/2-14-NPT
JKDCV-350G05	5"	9.76	5.334	5.500	0.375	0.625	1/2-14-NPT	1/2-14-NPT	3/4-14-NPT	1-11.5-NPT	1 1/4-11.5-NPT	1 1/2-11.5-NPT	2-11.5-NPT	1/4-18-NPT	3/8-18-NPT	1/2-14-NPT
			5.395	5.563												
JKDCV-350G06	6"	10.63	6.335	6.500	0.375	0.625	1/2-14-NPT	1/2-14-NPT	3/4-14-NPT	1-11.5-NPT	1 1/4-11.5-NPT	1 1/2-11.5-NPT	2-11.5-NPT	1/4-18-NPT	3/8-18-NPT	1/2-14-NPT
			6.455	6.625												
JKDCV-350G08	8"	12.80	8.441	8.625	0.438	0.750	1/2-14-NPT	1/2-14-NPT	3/4-14-NPT	1-11.5-NPT	1 1/4-11.5-NPT	1 1/2-11.5-NPT	2-11.5-NPT	1/4-18-NPT	3/8-18-NPT	1/2-14-NPT
JKDCV-350G10	10"	17.99	10.562	10.750	0.500	0.750	1/2-14-NPT	1/2-14-NPT	3/4-14-NPT	1-11.5-NPT	1 1/4-11.5-NPT	1 1/2-11.5-NPT	2-11.5-NPT	1/4-18-NPT	3/8-18-NPT	1/2-14-NPT
JKDCV-350G12	12"	21.06	12.531	12.750	0.500	0.750	1/2-14-NPT	1/2-14-NPT	3/4-14-NPT	1-11.5-NPT	1 1/4-11.5-NPT	1 1/2-11.5-NPT	2-11.5-NPT	1/4-18-NPT	3/8-18-NPT	1/2-14-NPT

Grooved Resilient Swing Check Valve	DESCRIPTION		Proj.	JKDCV-350G-001
	DWG#		REV.	
	JKDCV-003		0	
	WN	APPR.	DATE	
CINDY		KUHN HU	3-7-2025	