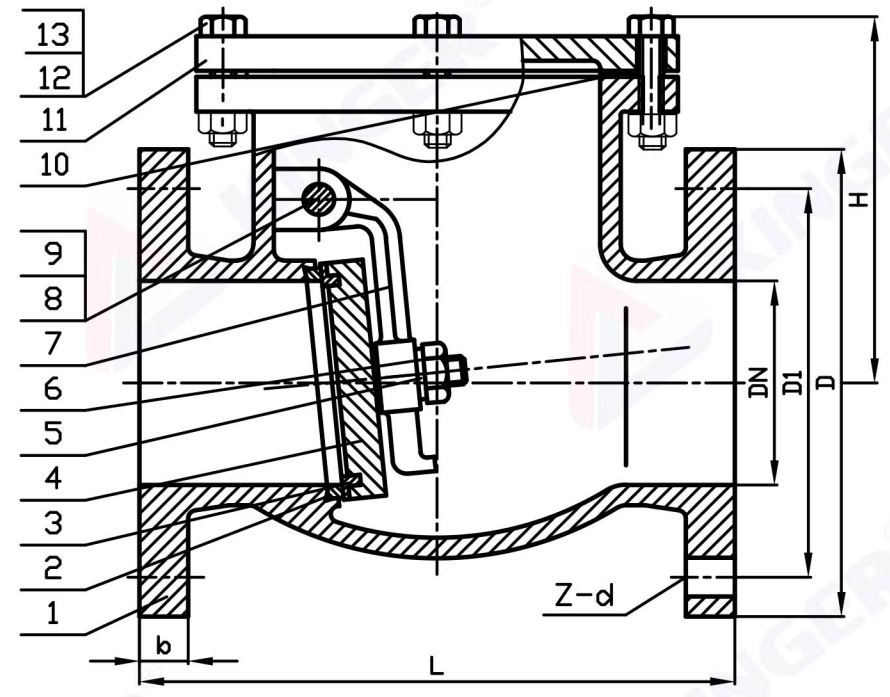
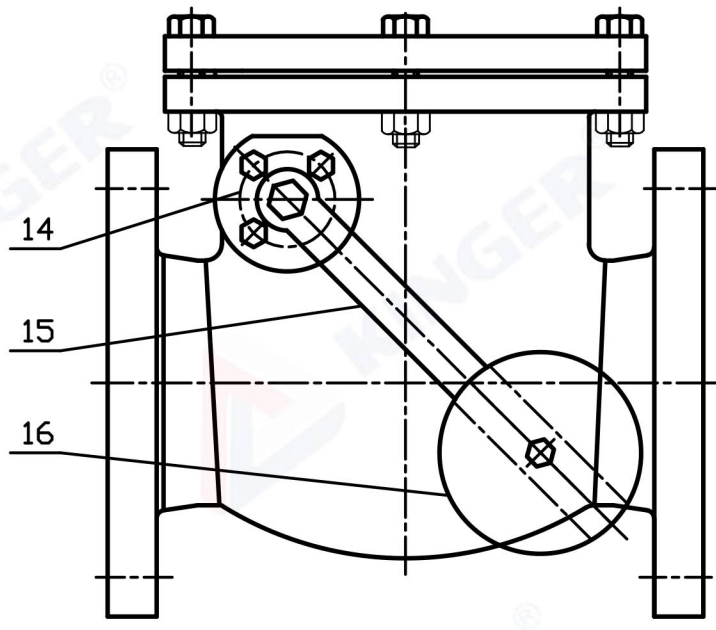


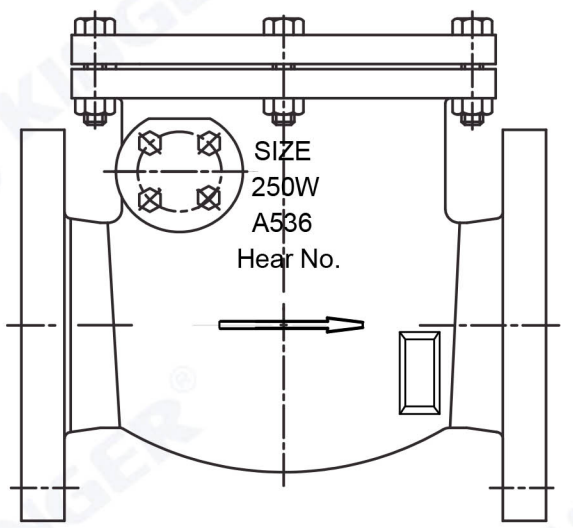
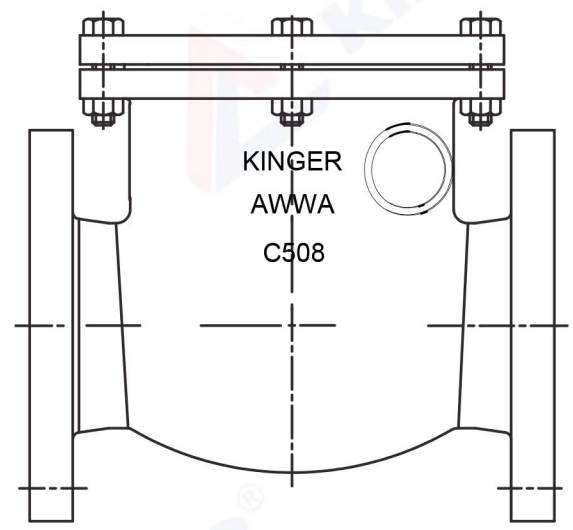
APPLICABLE STANDARD	
Design&Manufacture	AWWA C508
End Connection	ASME B16.1 CL125/ ASME B16.42 CL150
Face-to-Face and End-to-End Dimensions	AWWA C508
Working Temperature	14°F -176°F
Medium	Water

TESTING DETAILS	
DESCRIPTION	TEST PRESSURE
SHELL TEST	500PSI
SEAT TEST	250PSI



two options: without Weight & Lever; with Weight & Lever & Spring;

Item No.	Dimensions(Inch)							
	SIZE	D	D1	b	z	d	L	H
JHH44XW015	1.5"	5.00	3.88	0.56	4	0.625	6.50	4.72
JHH44XW02	2"	6.00	4.75	0.62	4	0.750	8.00	5.39
JHH44XW025	2.5"	7.00	5.50	0.69	4	0.750	8.50	5.63
JHH44XW03	3"	7.50	6.00	0.75	4	0.750	9.50	6.06
JHH44XW04	4"	9.00	7.50	0.94	8	0.750	11.50	6.73
JHH44XW05	5"	10.00	8.50	0.94	8	0.875	13.00	8.03
JHH44XW06	6"	11.00	9.50	1.00	8	0.875	14.00	8.62
JHH44XW08	8"	13.50	11.75	1.12	8	0.875	19.50	10.16
JHH44XW10	10"	16.00	14.25	1.19	12	1.000	24.50	11.42
JHH44XW12	12"	19.00	17.00	1.25	12	1.000	27.50	12.80
JHH44XW14	14"	21.00	18.75	1.38	12	1.125	31.00	14.21
JHH44XW16	16"	23.50	21.25	1.44	16	1.125	36.00	15.28
JHH44XW18	18"	25.00	22.75	1.56	16	1.250	40.00	17.72
JHH44XW20	20"	27.50	25.00	1.69	20	1.250	40.00	20.39
JHH44XW24	24"	32.00	29.50	1.88	20	1.375	48.00	24.41
JHH44XW30	30"	38.75	36.00	2.12	28	1.375	56.00	30.04
JHH44XW36	36"	46.00	42.75	2.38	32	1.625	77.00	37.80



Part No.	Description	Material Specification	
1	Body	Ductile Iron ASTM A536	
2	Body Seat Ring	Brass ASTM B62	
3	Disk Seat Ring	Brass ASTM B62	
4	Disc	Ductile Iron ASTM A536	
5	Washer	Stainless Steel SS316	
6	Nut	Stainless Steel SS316	
7	Arm	Ductile Iron ASTM A536	
8	Hing Pin	Stainless Steel SS420	
9	O-Ring	NBR ASTM D2000	
10	Gasket	NBR ASTM D2000	
11	Bonnet	Ductile Iron ASTM A536	
12	Bolt	Stainless Steel SS316	
13	Nut	Stainless Steel SS316	Size:1.5-6" N/A Size:8-36" A
14	Gland	Brass ASTM B16 Ductile Iron ASTM A536	Size:1.5-4" Size:5-36"
15	Hinge	Ductile Iron ASTM A536	
16	Hammer	Ductile Iron ASTM A536	

DESCRIPTION	Proj.	JHH44XW-1	
AWWA C508 Flanged Metal Seal Swing Check Valve With Weight&Lever	DWG#	REV.	
	JHH44-001	0	
	WN	APPR.	DATE
	CINDY	KUHN HU	3-7-2025