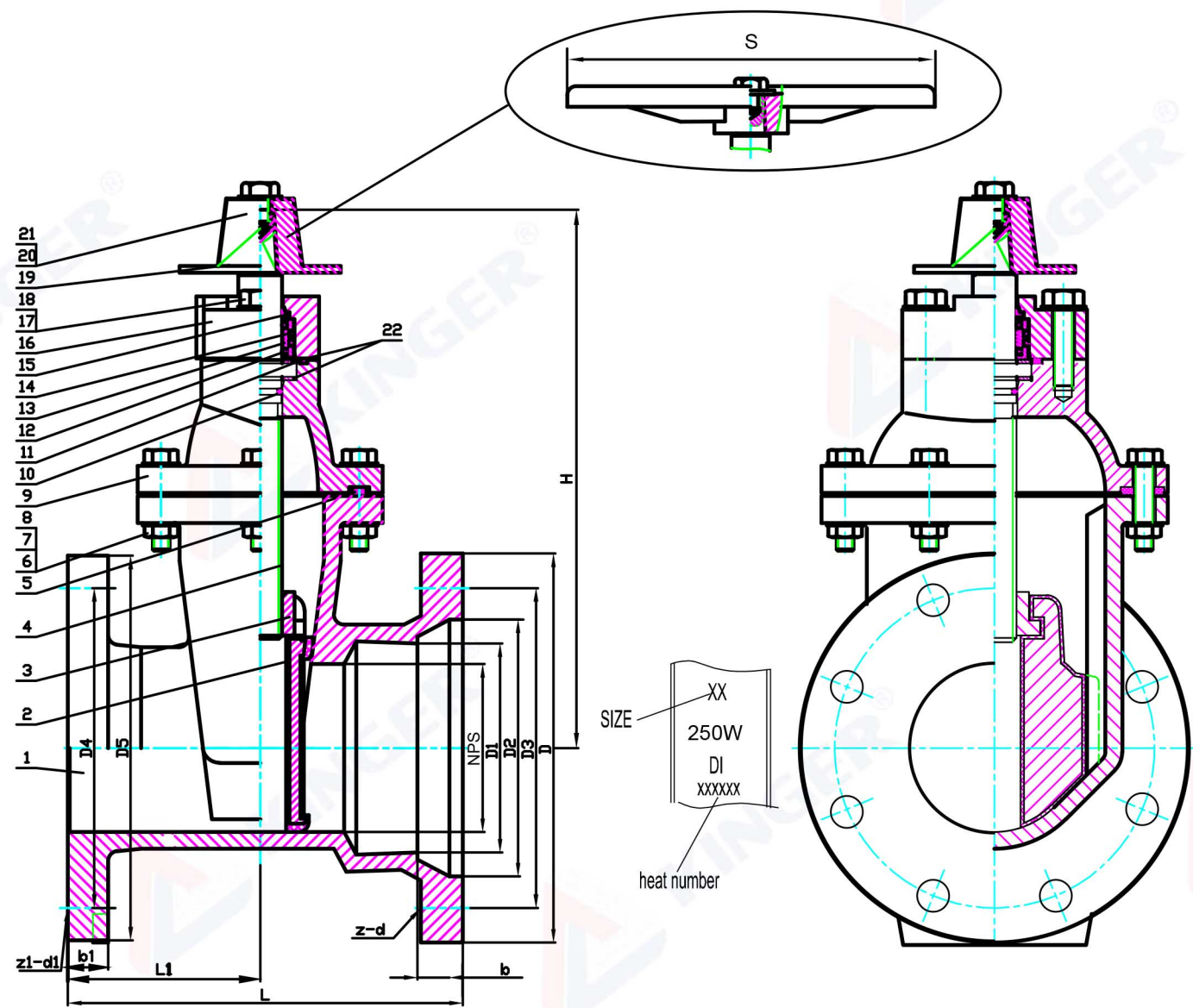


APPLICABLE STANDARD		TESTING DETAILS	
Design&Manufacture	<b>AWWA C509</b>	DESCRIPTION	TEST PRESSURE
End Connection	ASME B16.1 CL125/ ASME B16.42 CL150	SHELL TEST	500PSI
	ANSI/AWWA C153/A21.53/ ANSI/AWWA C110/A21.10	SEAT TEST	250PSI
Working Temperature	32°F -176°F		
Medium	Water		



PART NO.	Description	Material Specification
1	Body	Ductile Iron ASTM A536
2	Wedge	DI ASTM A536+EPDM ASTM D2000
3	Stem Nut	Brass ASTM B16
4	Stem	Stainless Steel 316
5	Gasket	EPDM ASTM D2000
6	Bonnet Bolt	Stainless Steel 316
7	Nut	Stainless Steel 316
8	Washer	Stainless Steel 316
9	Bonnet	Ductile Iron ASTM A536
10	O-Ring	EPDM ASTM D2000
11	O-Ring	EPDM ASTM D2000
12	O-Ring	EPDM ASTM D2000
13	Seal Ring	Brass ASTM B16
14	O-Ring	EPDM ASTM D2000
15	Dust Ring	EPDM ASTM D2000
16	Gland	Ductile Iron ASTM A536
17	Washer	Stainless Steel 316
18	Gland Bolt	Stainless Steel 316
19	Wrench Nut	Ductile Iron ASTM A536
20	Bolt	Stainless Steel 316
21	Washer	Stainless Steel 316
22	Minipad	PTFE

KINGER  
AWWA  
C509

Item No.	Dimensions(Inch)																	TURN TO OPEN	
	NPS	Flange					Mechanical							L1	L	S	H		
		D5	D4	b1	z1	d1	D	D1	D2	D3	b	z	d				Handwheel		Wrench Nut
JH004X02	2"	6.00	4.75	0.62	4	0.750	6.25	2.61	3.50	4.75	0.75	2	0.750	3.50	7.63	8.7	9.45	10.39	7
JH004X025	2.5"	7.00	5.50	0.69	4	0.750	6.75	3.30	4.22	5.40	0.88	2	0.750	3.75	7.87	8.7	10.47	11.42	9
JH004X03	3"	7.50	6.00	0.75	4	0.750	7.69	4.06	4.94	6.19	0.94	4	0.750	4.00	8.25	9.7	11.69	12.64	10
JH004X04	4"	9.00	7.50	0.94	8	0.750	9.12	4.90	6.02	7.50	1.00	4	0.875	4.50	9.26	10.0	12.99	13.94	13
JH004X06	6"	11.00	9.50	1.00	8	0.875	11.12	7.00	8.12	9.50	1.06	6	0.875	5.25	10.26	12.4	16.46	17.40	19
JH004X08	8"	13.50	11.75	1.12	8	0.875	13.37	9.15	10.27	11.75	1.12	6	0.875	5.75	11.00	14.0	19.69	20.63	26
JH004X10	10"	16.00	14.25	1.19	12	1.000	15.69	11.20	12.34	14.00	1.19	8	0.875	6.50	12.50	17.7	23.03	23.98	32
JH004X12	12"	19.00	17.00	1.25	12	1.000	17.94	13.30	14.44	16.25	1.25	8	0.875	7.00	13.51	17.7	26.14	27.09	38
JH004X14	14"	21.00	18.75	1.38	12	1.125	20.31	15.44	16.54	18.75	1.31	10	0.875	7.50	14.50	17.7	30.00	30.94	59
JH004X16	16"	23.50	21.25	1.44	16	1.125	22.56	17.54	18.64	21.00	1.38	12	0.875	8.00	16.99	17.7	32.95	33.90	51
JH004X18	18"	25.00	22.75	1.56	16	1.250	24.83	19.64	20.74	23.25	1.44	12	0.875	8.50	18.15	19.5	36.46	37.40	57
JH004X20	20"	27.50	25.00	1.69	20	1.250	27.08	21.74	22.84	25.50	1.50	14	0.875	9.00	19.00	19.5	39.49	40.43	64
JH004X24	24"	32.00	29.50	1.88	20	1.375	31.58	25.94	27.04	30.00	1.62	16	0.875	10.00	21.00	19.5	45.67	46.61	76

DESCRIPTION	Proj.	JH004X-001	
AWWA C509 Flanged x Mechanical Joint Resilient NRS Gate Valve	DWG#	REV.	
	JH-003	0	
	WN	APPR.	DATE
	CINDY	KUHN HU	3-7-2025