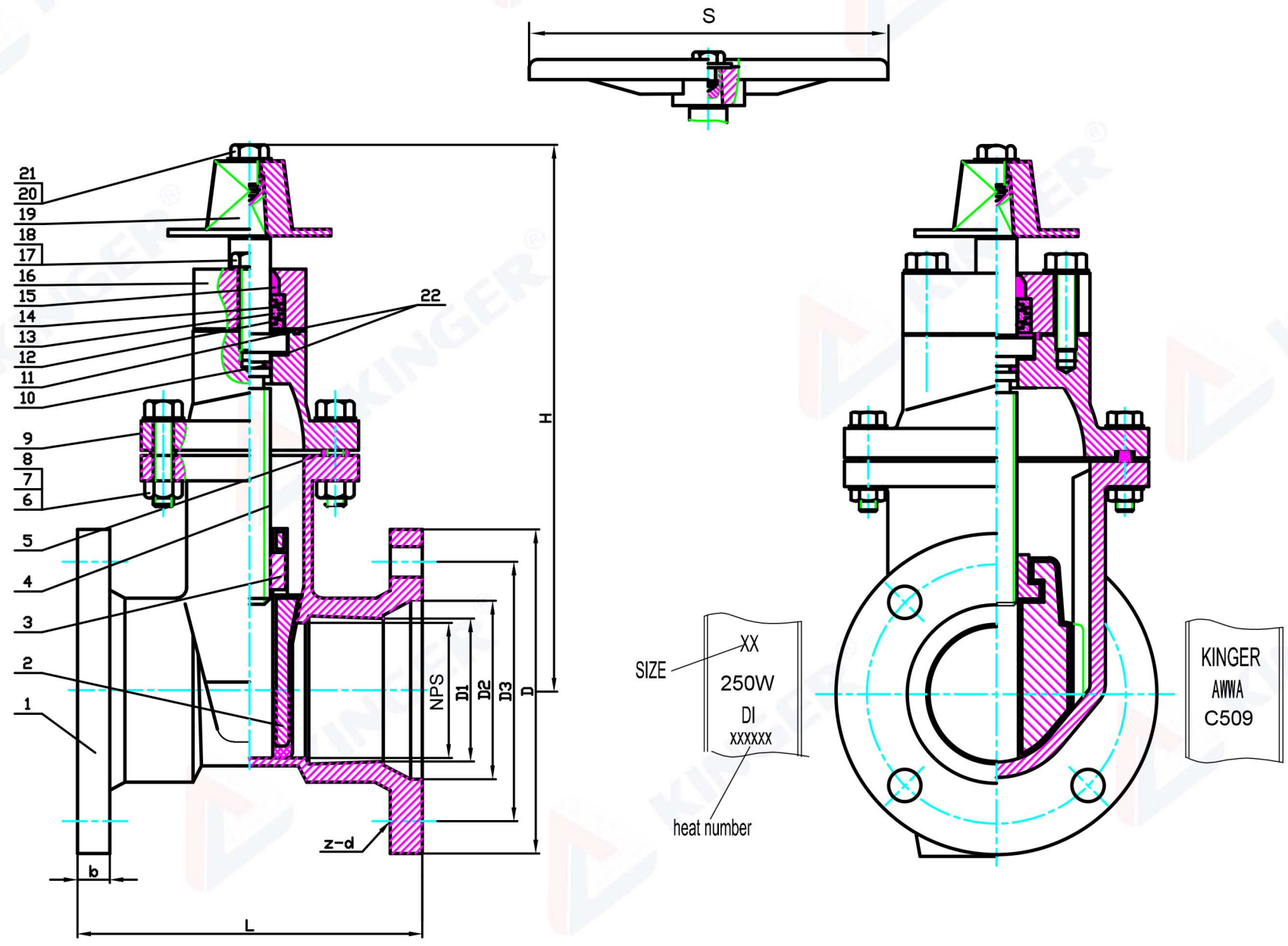


APPLICABLE STANDARD		TESTING DETAILS	
Design&Manufacture	AWWA C509	DESCRIPTION	TEST PRESSURE
End Connection	ANSI/AWWA C153/A21.53/ ANSI/AWWA C110/A21.10	SHELL TEST	500PSI
Working Temperature	32°F -176°F	SEAT TEST	250PSI
Medium	Water		



PART NO.	Description	Material Specification
1	Body	Ductile Iron ASTM A536
2	Wedge	DI ASTM A536+EPDM ASTM D2000
3	Stem Nut	Brass ASTM B16
4	Stem	Stainless Steel 316
5	Gasket	EPDM ASTM D2000
6	Bonnet Bolt	Stainless Steel 316
7	Nut	Stainless Steel 316
8	Washer	Stainless Steel 316
9	Bonnet	Ductile Iron ASTM A536
10	O-Ring	EPDM ASTM D2000
11	O-Ring	EPDM ASTM D2000
12	O-Ring	EPDM ASTM D2000
13	Seal Ring	Brass ASTM B16
14	O-Ring	EPDM ASTM D2000
15	Dust Ring	EPDM ASTM D2000
16	Gland	Ductile Iron ASTM A536
17	Washer	Stainless Steel 316
18	Gland Bolt	Stainless Steel 316
19	Wrench Nut	Ductile Iron ASTM A536
20	Bolt	Stainless Steel 316
21	Washer	Stainless Steel 316
22	Minipad	PTFE

Item No.	Dimensions(Inch)											TURN TO OPEN	
	NPS	D	D1	D2	D3	b	z	d	L	S	H		
											Handwheel		Wrench Nut
JHZ35XQ02	2"	6.25	2.61	3.50	4.75	0.75	2	0.750	8.25	8.7	9.45	10.39	7
JHZ35XQ025	2.5"	6.75	3.30	4.22	5.40	0.88	2	0.750	8.25	8.7	10.47	11.42	9
JHZ35XQ03	3"	7.69	4.06	4.94	6.19	0.94	4	0.750	8.50	9.7	11.69	12.64	10
JHZ35XQ04	4"	9.12	4.90	6.02	7.50	1.00	4	0.875	9.50	10.0	12.99	13.94	13
JHZ35XQ06	6"	11.12	7.00	8.12	9.50	1.06	6	0.875	10.00	12.4	16.46	17.40	19
JHZ35XQ08	8"	13.37	9.15	10.27	11.75	1.12	6	0.875	10.50	14.0	19.69	20.63	26
JHZ35XQ10	10"	15.69	11.20	12.34	14.00	1.19	8	0.875	12.00	17.7	23.03	23.98	32
JHZ35XQ12	12"	17.94	13.30	14.44	16.25	1.25	8	0.875	13.00	17.7	26.14	27.09	38
JHZ35XQ14	14"	20.31	15.44	16.54	18.75	1.31	10	0.875	14.00	17.7	30.00	30.94	59
JHZ35XQ16	16"	22.56	17.54	18.64	21.00	1.38	12	0.875	18.00	17.7	32.95	33.90	51
JHZ35XQ18	18"	24.83	19.64	20.74	23.25	1.44	12	0.875	19.25	19.5	36.46	37.40	57
JHZ35XQ20	20"	27.08	21.74	22.84	25.50	1.50	14	0.875	20.00	19.5	39.49	40.43	64
JHZ35XQ24	24"	31.58	25.94	27.04	30.00	1.62	16	0.875	22.00	19.5	45.67	46.61	76

DESCRIPTION	Proj.	JHZ35XQ-001	
AWWA C509 Mechanical Joint Resilient NRS Gate Valve	DWG#	REV.	
	JH-002	0	
	WN	APPR.	DATE
	CINDY	KUHN HU	3-7-2025