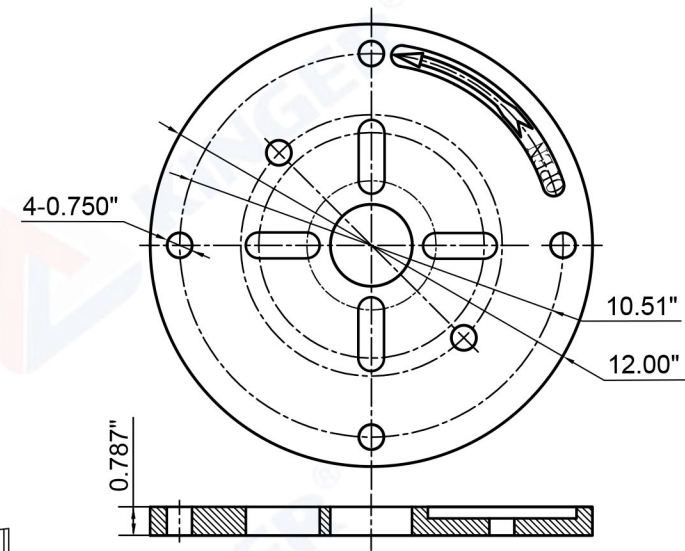
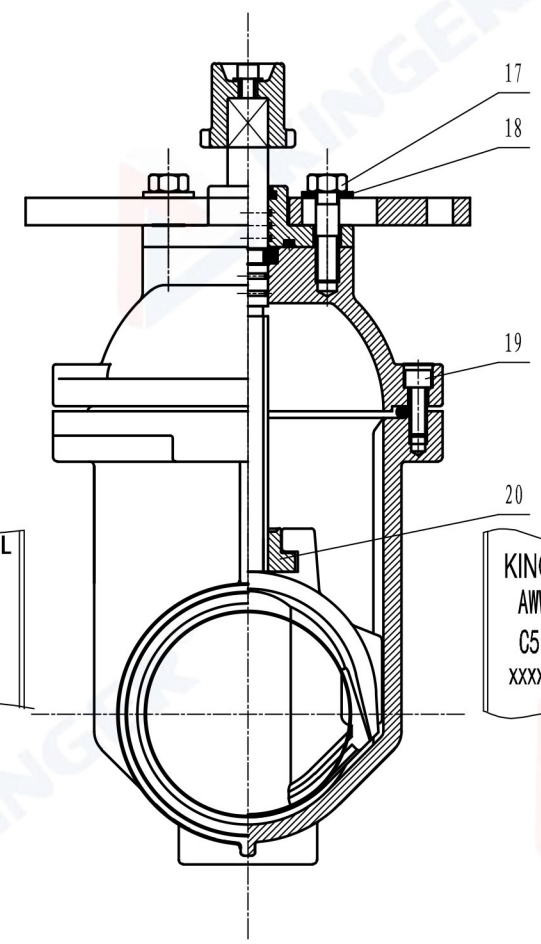
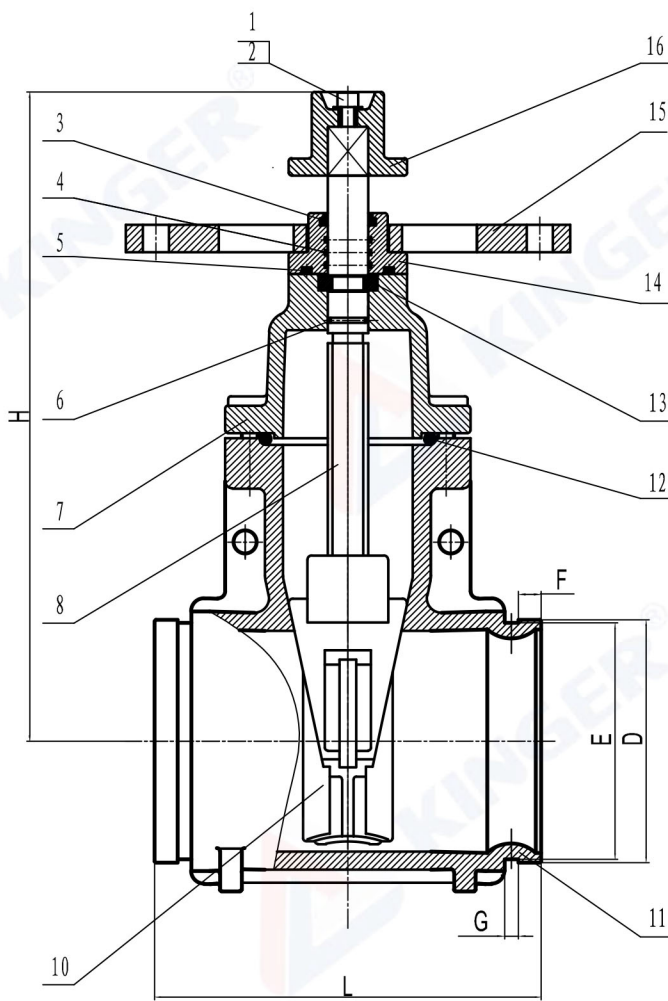


APPLICABLE STANDARD	
Design&Manufacture	AWWA C515
End Connection	AWWA C606
Face-to-Face and End-to-End Dimensions	ASME B16.10
Working Temperature	32°F -176°F
Medium	Water

TESTING DETAILS	
DESCRIPTION	TEST PRESSURE
SHELL TEST	600PSI
SEAT TEST	450PSI



PART NO.	Description	Material Specification
1	Flat Washer	Stainless Steel 304 ASTM A276
2	Hexagon Socket Screw	Stainless Steel 304 ASTM A276
3	Sealing Ring	EPDM ASTM D2000
4	O-Ring	EPDM ASTM D2000
5	Sealing Ring	EPDM ASTM D2000
6	O-Ring	EPDM ASTM D2000
7	Bonnet	Ductile Iron ASTM A536
8	Stem	Stainless Steel 304 ASTM A276
10	Disc	EPDM ASTM D2000 +DI ASTM A536
11	Body	Ductile Iron ASTM A536
12	Sealing Ring	EPDM ASTM D2000
13	Retaining Ring	ASTM B148 C95400
14	Gland	Ductile Iron ASTM A536
15	Post Flange	Ductile Iron ASTM A536
16	Wrench Nut	Ductile Iron ASTM A536
17	Bolt	Stainless Steel 304 ASTM A276
18	Washer	Stainless Steel 304 ASTM A276
19	Hexagon Socket Screw	Stainless Steel 304 ASTM A276
20	Stem Nut	ASTM B148 C95400

Item No.	Dimensions(Inch)							TURN TO OPEN
	Size	D	E	F	G	L	H	
JKDZ85GRPF025	2.5	2.875	2.720	0.625	0.312	7.50	11.50	7
		2.996	2.845					
JKDZ85GRPF03	3	3.500	3.344	0.625	0.312	8.00	12.68	8
JKDZ85GRPF04	4	4.500	4.334	0.625	0.375	9.00	13.46	11
JKDZ85GRPF05	5	5.500	5.334	0.625	0.375	10.00	16.22	11.5
		5.563	5.395					
JKDZ85GRPF06	6	6.500	6.335	0.625	0.375	10.50	17.64	13
		6.625	6.455					
JKDZ85GRPF08	8	8.625	8.441	0.750	0.438	11.50	21.02	17.5
JKDZ85GRPF10	10	10.750	10.562	0.750	0.500	13.00	25.00	22
JKDZ85GRPF12	12	12.750	12.531	0.750	0.500	14.00	28.35	26

DESCRIPTION		Proj.	JKDZ85GRPF-001
AWWA C515 Grooved Resilient NRS Gate Valve with Post Flange		DWG#	REV.
		JK-008	0
WN	APPR.	DATE	
CINDY	KUHN HU	3-7-2025	