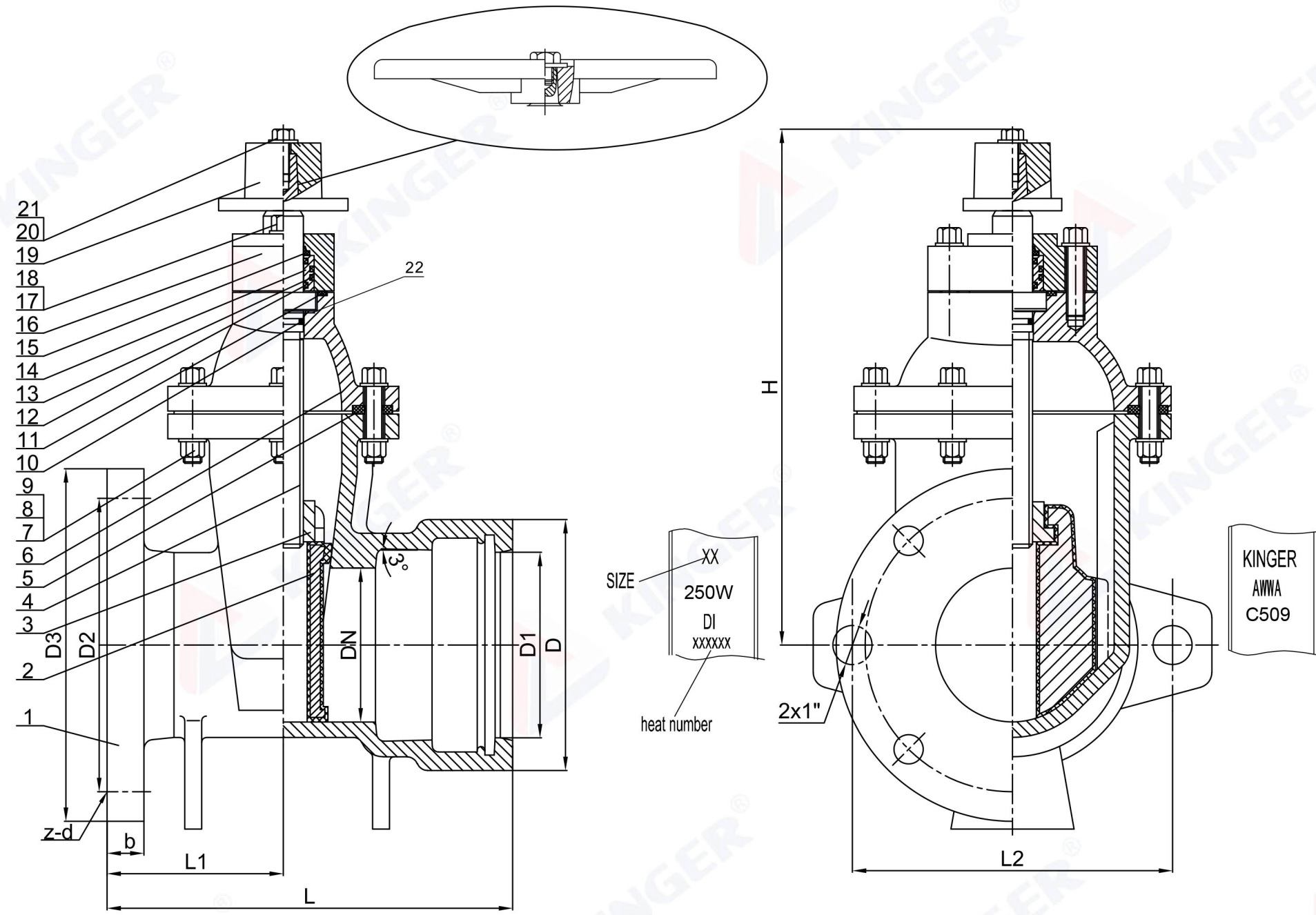
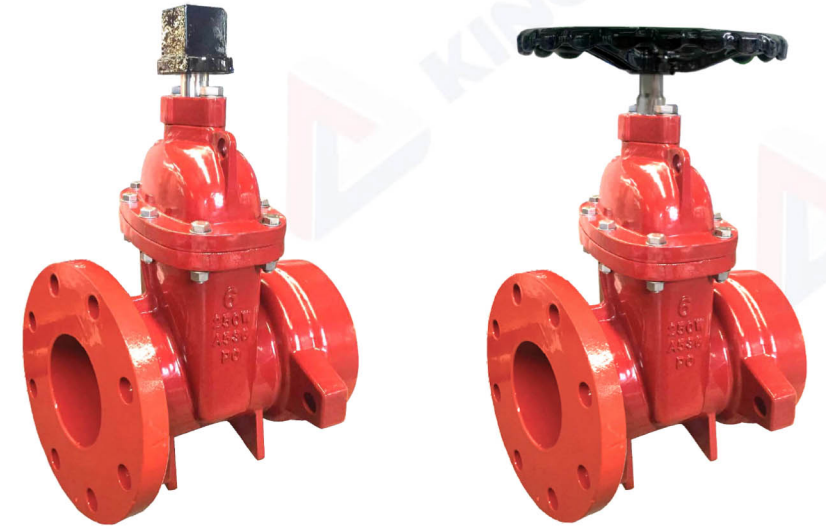


APPLICABLE STANDARD		TESTING DETAILS	
Design&Manufacture	AWWA C509	DESCRIPTION	TEST PRESSURE
End Connection	ASME B16.1 CL125/ ASME B16.42 CL150	SHELL TEST	500PSI
	ANSI/AWWA C111/A21.11	SEAT TEST	250PSI
Working Temperature	32°F -176°F		
Medium	Water		



Part No.	Description	Material Specification
1	Body	Ductile Iron ASTM A536
2	Wedge	DI ASTM A536+EPDM ASTM D2000
3	Stem Nut	Brass ASTM B16
4	Stem	Stainless Steel 316
5	Bonnet Gasket	EPDM ASTM D2000
6	Bonnet	Ductile Iron ASTM A536
7	Bonnet Bolt	Stainless Steel 316
8	Nut	Stainless Steel 316
9	Washer	Stainless Steel 316
10	O-Ring	EPDM ASTM D2000
11	O-Ring	EPDM ASTM D2000
12	O-Ring	EPDM ASTM D2000
13	O-Ring	EPDM ASTM D2000
14	Seal Ring	Brass ASTM B16
15	Dust-Ring	EPDM ASTM D2000
16	Gland	Ductile Iron ASTM A536
17	Washer	Stainless Steel 316
18	Bolt	Stainless Steel 316
19	Wrench Nut	Ductile Iron ASTM A536
20	Washer	Stainless Steel 316
21	Bolt	Stainless Steel 316
22	Minipad	PTFE

Item No.	Dimensions(Inch)												TURN TO OPEN
	Size	D	D1	D3	D2	b	Z	d	L2	L1	L	H	
JHZ00504	4"	6.93	4.91	9.00	7.50	0.94	8.00	0.750	8.19	4.50	11.14	13.94	13
JHZ00506	6"	9.13	7.01	11.00	9.50	1.00	8.00	0.875	10.87	5.25	12.64	17.40	19
JHZ00508	8"	11.47	9.17	13.50	11.75	1.12	8.00	0.875	12.91	5.75	14.31	21.06	26
JHZ00510	10"	13.62	11.22	16.00	14.25	1.19	12.00	1.000	14.69	6.50	16.35	23.98	32
JHZ00512	12"	15.84	13.32	19.00	17.00	1.25	12.00	1.000	18.44	7.00	17.44	27.17	38

DESCRIPTION		Proj.	JHZ005-001
AWWA C509 Push-Onx Flanged Joint Resilient NRS Gate Valve		DWG#	REV.
		JH-005	0
CUSTOMER		WN	APPR.
		CINDY	KUHN HU
PAGE NO		1 of 1	DATE
KINGER INDUSTRY INC.		3-7-2025	

For special material requests beyond the standard specifications, please clearly note them on your inquiry or order form.