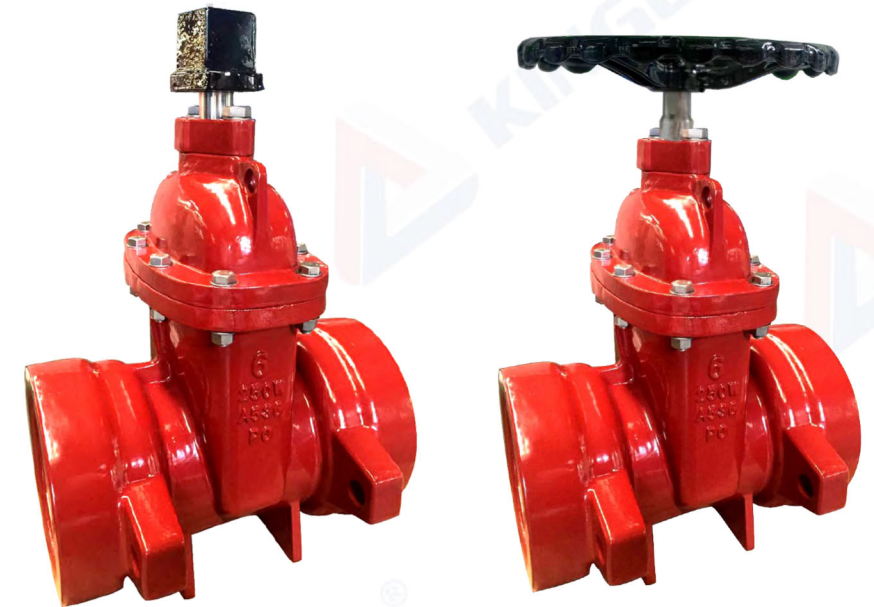
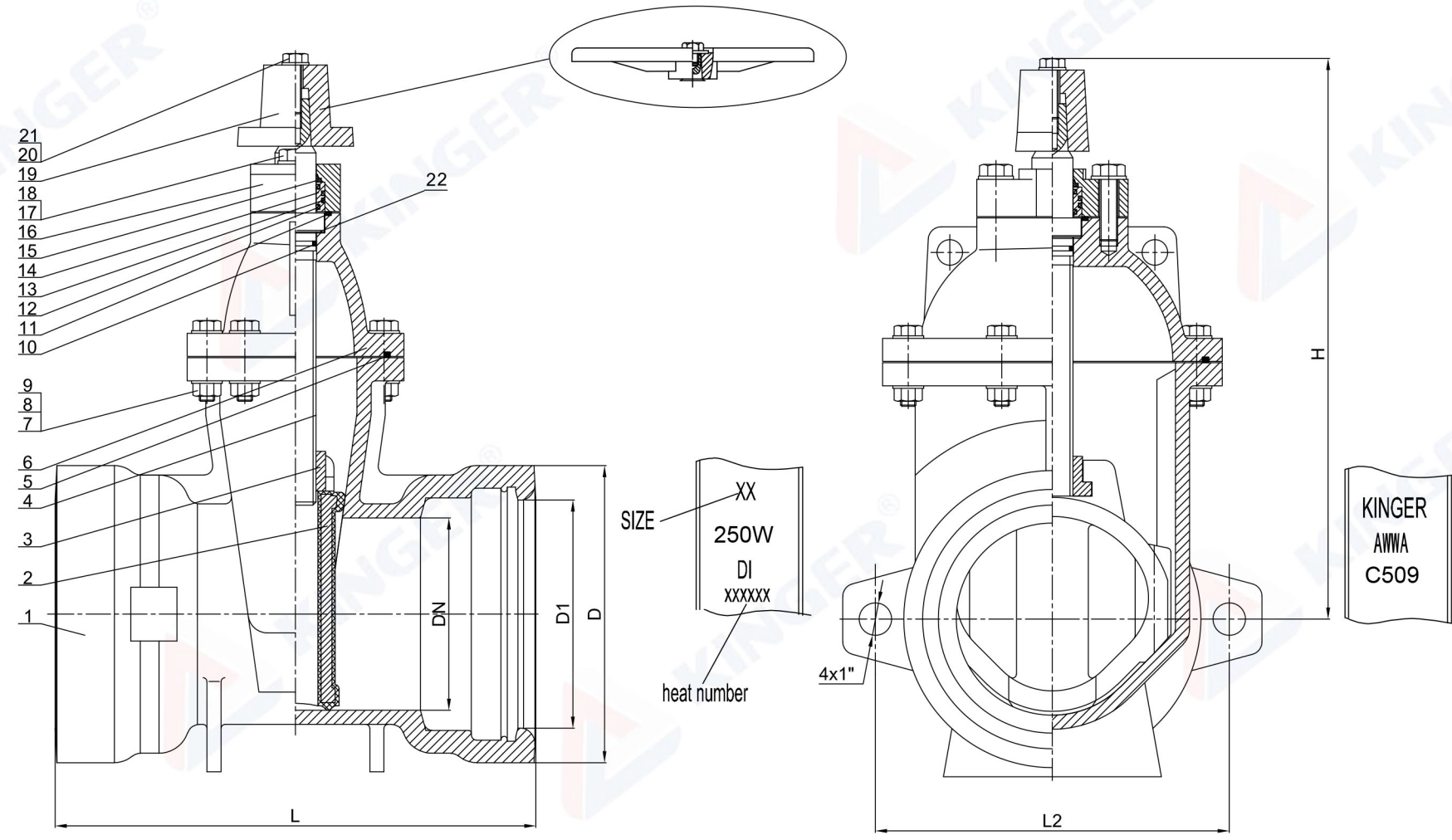


APPLICABLE STANDARD		TESTING DETAILS	
Design&Manufacture	AWWA C509	DESCRIPTION	TEST PRESSURE
End Connection	ANSI/AWWA C111/A21.11	SHELL TEST	500PSI
Working Temperature	32°F -176°F	SEAT TEST	250PSI
Medium	Water		



Part No.	Description	Material Specification
1	Body	Ductile Iron ASTM A536
2	Wedge	DI ASTM A536+EPDM ASTM D2000
3	Stem Nut	Brass ASTM B16
4	Stem	Stainless Steel 316
5	Bonnet Gasket	EPDM ASTM D2000
6	Bonnet	Ductile Iron ASTM A536
7	Bonnet Bolt	Stainless Steel 316
8	Nut	Stainless Steel 316
9	Washer	Stainless Steel 316
10	O-Ring	EPDM ASTM D2000
11	O-Ring	EPDM ASTM D2000
12	O-Ring	EPDM ASTM D2000
13	O-Ring	EPDM ASTM D2000
14	Seal Ring	Brass ASTM B16
15	Dust-Ring	EPDM ASTM D2000
16	Gland	Ductile Iron ASTM A536
17	Washer	Stainless Steel 316
18	Bolt	Stainless Steel 316
19	Wrench Nut	Ductile Iron ASTM A536
20	Washer	Stainless Steel 316
21	Bolt	Stainless Steel 316
22	Minipad	PTFE

Item No.	Dimensions(Inch)						TURN TO OPEN
	Size	D	D1	L2	L	H	
JHZ00404	4"	6.93	4.91	8.19	13.27	13.94	13
JHZ00406	6"	9.13	7.01	10.87	14.78	17.40	19
JHZ00408	8"	11.47	9.17	12.91	17.12	21.06	26
JHZ00410	10"	13.62	11.22	14.69	19.69	23.98	32
JHZ00412	12"	15.84	13.32	18.44	20.87	27.17	38

DESCRIPTION	Proj.	JHZ004-001	
AWWA C509 Push On Joint Resilient NRS Gate Valve	DWG#	REV.	
	JH-004	0	
	WN	APPR.	DATE
CINDY	KUHN HU	3-7-2025	