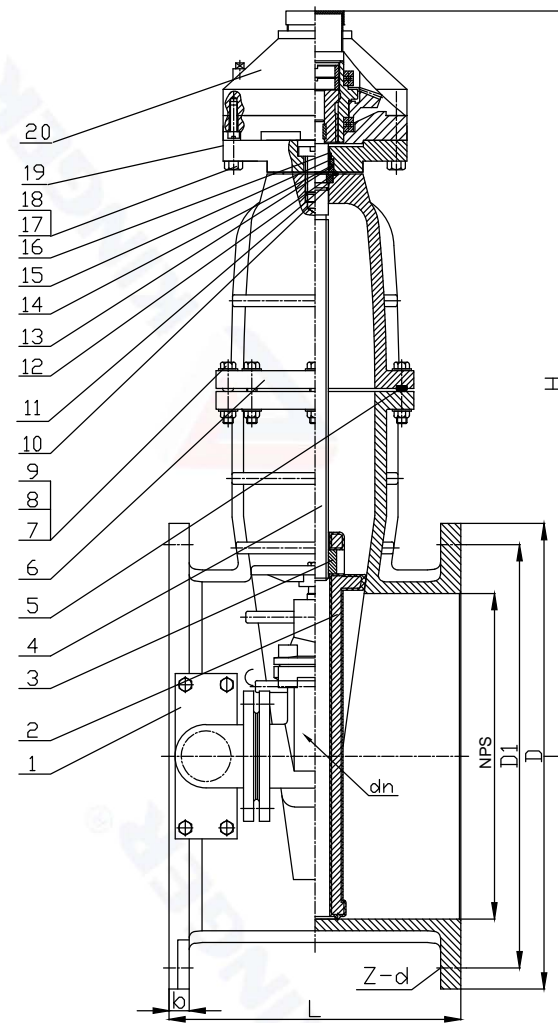
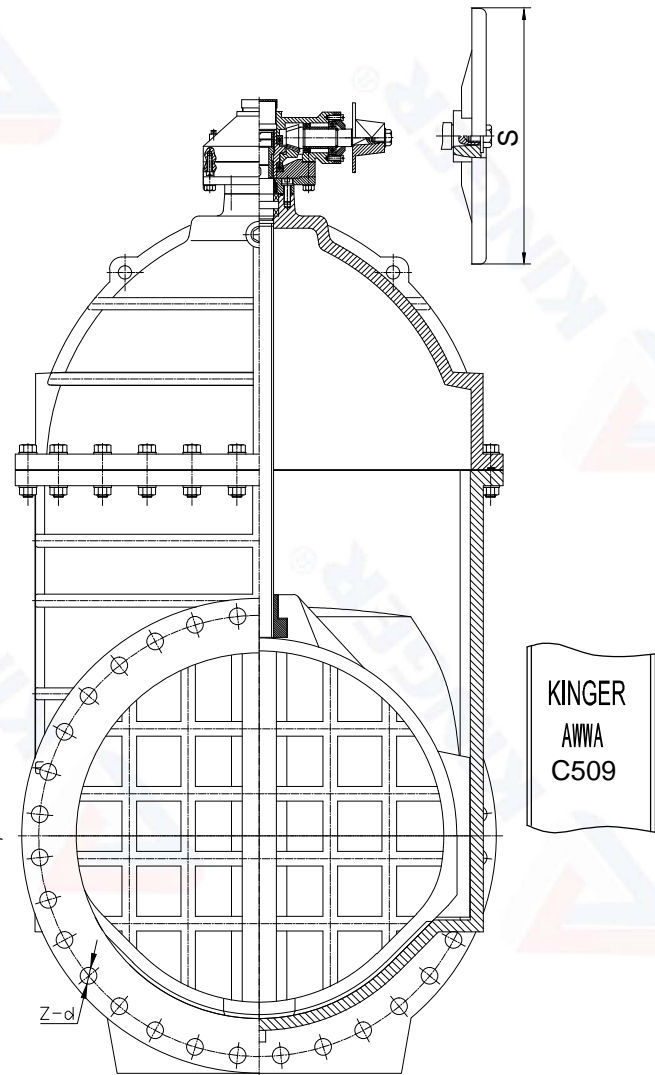


APPLICABLE STANDARD	
Design&Manufacture	AWWA C509
End Connection	ASME B16.1 CL125/ ASME B16.42 CL150
Face-to-Face and End-to-End Dimensions	ASME B16.10
Gear Flange	ISO5211
Working Temperature	32°F -176°F
Medium	Water

TESTING DETAILS	
DESCRIPTION	TEST PRESSURE
SHELL TEST	500PSI
SEAT TEST	250PSI




SIZE XX
250W
DI
XXXXXX
heat number



Part No.	Description	Material Specification
1	Body	Ductile Iron ASTM A536
2	Wedge	DI ASTM A536 +EPDM ASTM D2000
3	Stem Nut	Brass ASTM B16
4	Stem	Stainless Steel SS316
5	Gasket	EPDM ASTM D2000
6	Bonnet	Ductile Iron ASTM A536
7	Bonnet Bolt	Stainless Steel SS316
8	Nut	Stainless Steel SS316
9	Washer	Stainless Steel SS316
10	O-Ring	EPDM ASTM D2000
11	Minipad	14-24" PTFE
	Bearing	30-48" Stainless Steel SS316
12	O-Ring	EPDM ASTM D2000
13	O-Ring	EPDM ASTM D2000
14	Seal Ring	Brass ASTM B16
15	O-Ring	EPDM ASTM D2000
16	Dust Ring	EPDM ASTM D2000
17	Bolt	Stainless Steel SS316
18	Washer	Stainless Steel SS316
19	Gland	Ductile Iron ASTM A536
20	Gear Box	

Item No.	Dimensions(Inch)										TURN TO OPEN	TUM RANGE
	NPS	D	D1	b	z	d	S	L	H	dn		
JHZ45XC-GB14	14"	21.00	18.75	1.38	12	1.125	16	15.00	36.73	1.5"	213	±5
JHZ45XC-GB16	16"	23.50	21.25	1.44	16	1.125	16	16.00	39.76	1.5"	180	
JHZ45XC-GB18	18"	25.00	22.75	1.56	16	1.250	16	17.00	42.87	1.5"	257	
JHZ45XC-GB20	20"	27.50	25.00	1.69	20	1.250	16	18.00	45.98	1.5"	288	±7
JHZ45XC-GB24	24"	32.00	29.50	1.88	20	1.375	16	20.00	52.28	2"	342	
JHZ45XC-GB30	30"	38.75	36.00	2.12	28	1.375	16	24.00	60.24	3"	253	
JHZ45XC-GB36	36"	46.00	42.75	2.38	32	1.625	16	28.00	65.94	3"	266	±9
JHZ45XC-GB42	42"	53.00	49.50	2.62	36	1.625	16	36.00	76.77	4"	381	
JHZ45XC-GB48	48"	59.50	56.00	2.75	44	1.625	16	44.00	82.68	4"	426	

DESCRIPTION		Proj.	JHZ45XC-GB001
AWWA C509 Flanged Resilient NRS Gate Valve & Bevel Gears & Bypass		DWG#	REV.
		JH-0012	0
WN	APPR.	DATE	
CINDY	KUHN HU	3-7-2025	
CUSTOMER			
PAGE NO	1 of 1		
For special material requests beyond the standard specifications, please clearly note them on your inquiry or order form.			