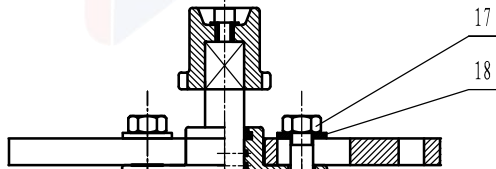
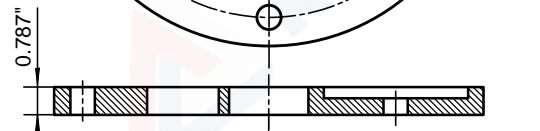
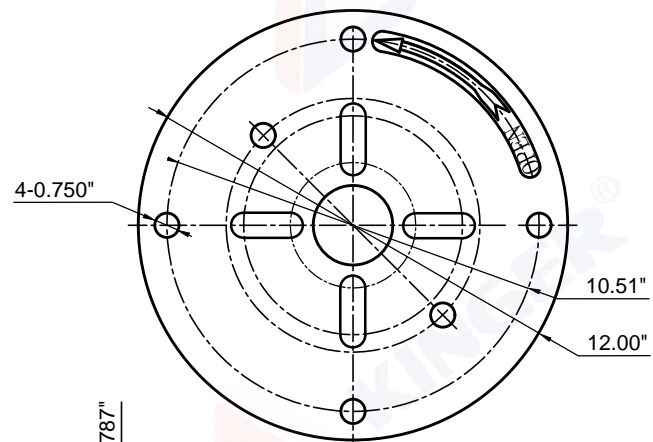
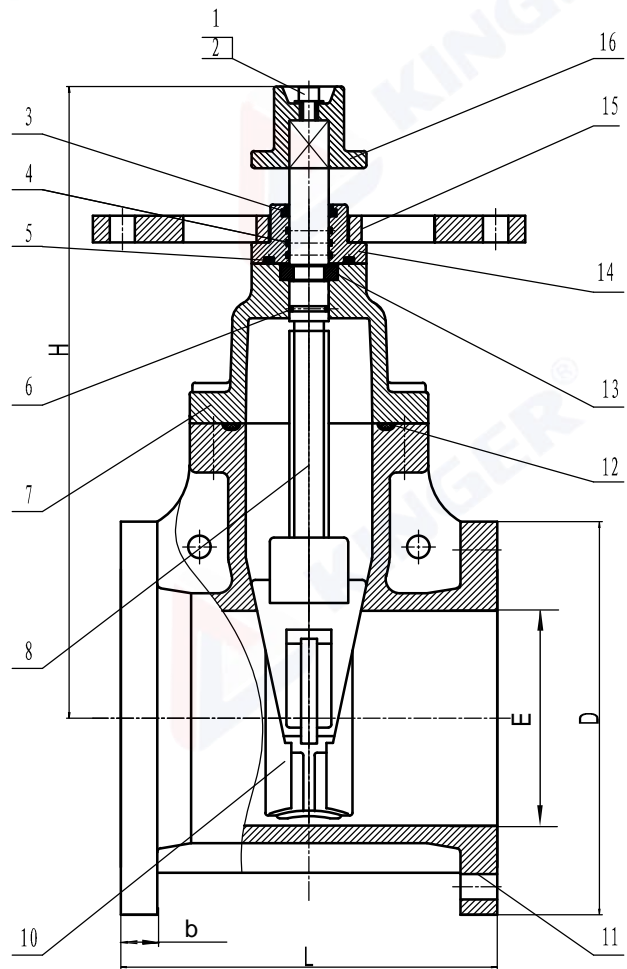


APPLICABLE STANDARD	
Design&Manufacture	<b>AWWA C515</b>
End Connection	ASME B16.1 CL125/ ASME B16.42 CL150
Face-to-Face and End-to-End Dimensions	ASME B16.10
Working Temperature	32°F -176°F
Medium	Water

TESTING DETAILS	
DESCRIPTION	TEST PRESSURE
SHELL TEST	600PSI
SEAT TEST	450PSI



FM  
UL  
300PSI  
XX  
DI

KINGER  
AWWA  
C515  
XXXXXX

heat number



PART NO.	Description	Material Specification
1	Flat Washer	Stainless Steel 304
2	Hexagon Socket Screw	Stainless Steel 304
3	Sealing Ring	EPDM ASTM D2000
4	O-Ring	EPDM ASTM D2000
5	Sealing Ring	EPDM ASTM D2000
6	O-Ring	EPDM ASTM D2000
7	Bonnet	Ductile Iron ASTM A536
8	Stem	Stainless Steel 304
10	Disc	EPDM ASTM D2000 +DI ASTM A536
11	Body	Ductile Iron ASTM A536
12	Sealing Ring	EPDM ASTM D2000
13	Retaining Ring	ASTM B148 C95400
14	Gland	Ductile Iron ASTM A536
15	Post Plate	Ductile Iron ASTM A536
16	Wrench Nut	Ductile Iron ASTM A536
17	Bolt	Stainless Steel 304
18	Washer	Stainless Steel 304
19	Hexagon Socket Screw	Stainless Steel 304
20	Stem Nut	ASTM B148 C95400

Item No.	Dimensions(Inch)									TURN TO OPEN
	Size	D	E	C	b	n	d	L	H	
JKDZ45FPF025	2.5"	7.00	2.66	5.50	0.69	4	0.750	7.50	11.50	7
JKDZ45FPF03	3"	7.50	3.14	6.00	0.75	4	0.750	8.00	12.68	8
JKDZ45FPF04	4"	9.00	4.05	7.50	0.94	8	0.750	9.00	13.46	11
JKDZ45FPF05	5"	10.00	5.05	8.50	0.94	8	0.875	10.00	16.22	11.5
JKDZ45FPF06	6"	11.00	6.07	9.50	1.00	8	0.875	10.50	17.64	13
JKDZ45FPF08	8"	13.50	8.06	11.75	1.12	8	0.875	11.50	21.02	17.5
JKDZ45FPF10	10"	16.00	10.08	14.25	1.19	12	1.000	13.00	25.00	22
JKDZ45FPF12	12"	19.00	12.09	17.00	1.25	12	1.000	14.00	28.35	26

DESCRIPTION	Proj.	JKDZ45FPF-001	
<b>AWWA C515 Flanged Resilient NRS Gate Valve with Post Flange</b>	DWG#	JK-004	REV. 0
	WN	APPR.	DATE
	CINDY	KUHN HU	3-7-2025
	CUSTOMER	KINGER INDUSTRY INC.	
PAGE NO	1 of 1	For special material requests beyond the standard specifications, please clearly note them on your inquiry or order form.	