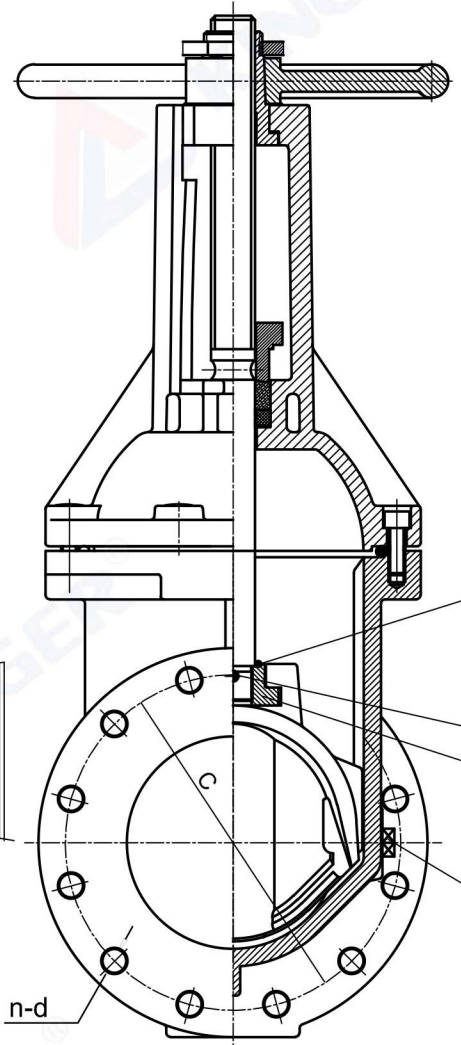
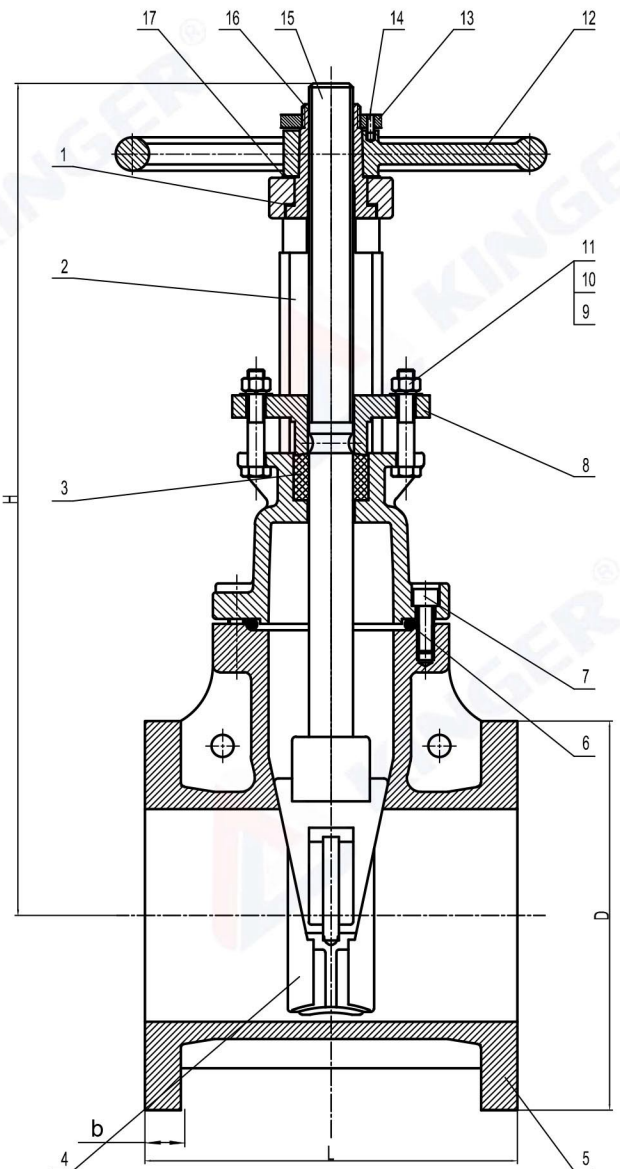


APPLICABLE STANDARD	
Design&Manufacture	AWWA C515
End Connection	ASME B16.1 CL125/ ASME B16.42 CL150
Face-to-Face and End-to-End Dimensions	ASME B16.10
Working Temperature	32°F -176°F
Medium	Water

TESTING DETAILS	
DESCRIPTION	TEST PRESSURE
SHELL TEST	600PSI
SEAT TEST	450PSI



◀FM▶ UL
300PSI
XX
DI

KINGER
AWWA
C515
xxxxxx
heat number

PART NO.	Description	Material Specification
1	Gasket	ASTM B148 C95400
2	Bonnet	Ductile Iron ASTM A536
3	Packing	Graphite
4	Disc	EPDM ASTM D2000 +DI ASTM A536
5	Body	Ductile Iron ASTM A536
6	Sealing Ring	EPDM ASTM D2000
7	Bolt	Stainless Steel 304
8	Gland	Ductile Iron ASTM A536
9	Nut	Stainless Steel 304
10	Flat Washer	Stainless Steel 304
11	Bolt	Stainless Steel 304
12	Handwheel	Ductile Iron ASTM A536
13	Lock Nut	ASTM B148 C95400
14	Locating Screw	Stainless Steel 304
15	Stem	Stainless Steel 304
16	Stem Nut	ASTM B148 C95400
17	Gasket	ASTM B148 C95400
18	Plug	ASTM B148 C95400
19	Stem Nut	Stainless Steel 304
20	Pin	Stainless Steel 304
21	Sealing Ring	EPDM ASTM D2000

Item No.	Dimensions(Inch)								TURN TO OPEN
	Size	D	C	b	n	d	L	H	
JKDZ41-300FLG025	2.5"	7.00	5.50	0.69	4	0.750	7.50	14.57	8
JKDZ41-300FLG03	3"	7.50	6.00	0.75	4	0.750	8.00	16.54	10
JKDZ41-300FLG04	4"	9.00	7.50	0.94	8	0.750	9.00	17.60	13
JKDZ41-300FLG05	5"	10.00	8.50	0.94	8	0.875	10.00	21.54	16
JKDZ41-300FLG06	6"	11.00	9.50	1.00	8	0.875	10.50	23.90	19.5
JKDZ41-300FLG08	8"	13.50	11.75	1.12	8	0.875	11.50	29.69	25.5
JKDZ41-300FLG10	10"	16.00	14.25	1.19	12	1.000	13.00	35.04	32
JKDZ41-300FLG12	12"	19.00	17.00	1.25	12	1.000	14.00	40.59	38

DESCRIPTION	Proj.	JKDZ41-300A-001	
AWWA C515 Flanged Resilient OS&Y Gate Valve	DWG#	REV.	
	JK-0011	0	
	WN	APPR.	DATE
	CINDY	KUHN HU	3-7-2025