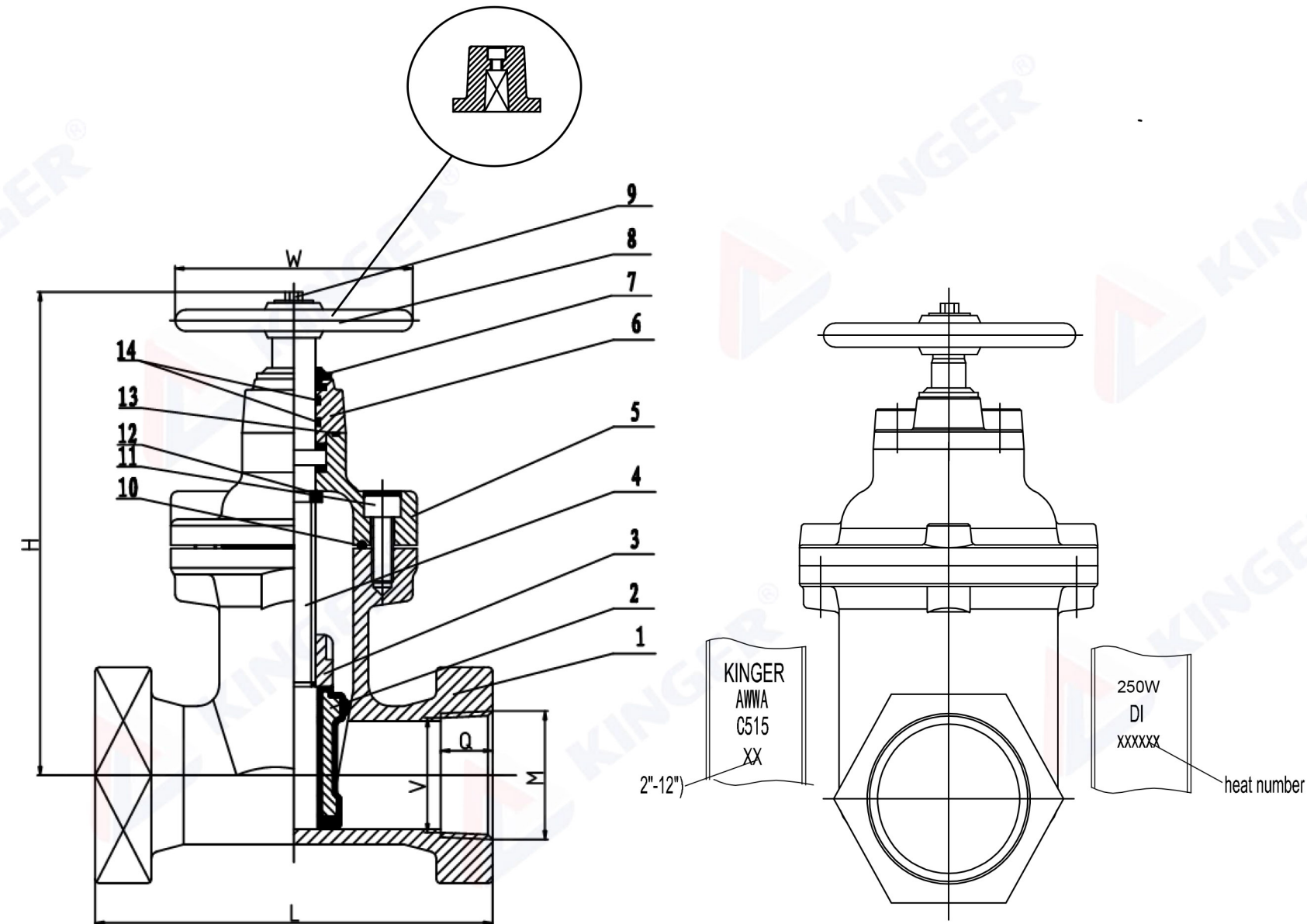


| APPLICABLE STANDARD | |
|---------------------|-------------------|
| Design&Manufacture | AWWA C515 |
| End Connection | ANSI ASME B1.20.1 |
| Working Temperature | 32°F -176°F |
| Medium | Water |

| TESTING DETAILS | |
|-----------------|---------------|
| DESCRIPTION | TEST PRESSURE |
| SHELL TEST | 500PSI |
| SEAT TEST | 250PSI |



| Part No. | Description | Material Specification |
|----------|----------------------|------------------------------|
| 1 | Body | Ductile Iron ASTM A536 |
| 2 | Wedge | EPDM ASTM D2000+DI ASTM A536 |
| 3 | Stem Nut | Brass ASTM B283 C37700 |
| 4 | Stem | Stainless Steel 304 |
| 5 | Bonnet | Ductile Iron ASTM A536 |
| 6 | Gland | Ductile Iron ASTM A536 |
| 7 | Dust Cap | EPDM ASTM D2000 |
| 8 | Handwheel/Wrench Nut | Ductile Iron ASTM A536 |
| 9 | Bolts | Stainless Steel 304 |
| 10 | Gasket | EPDM ASTM D2000 |
| 11 | Bolts | Stainless Steel 304 |
| 12 | O-Ring | EPDM ASTM D2000 |
| 13 | O-Ring | EPDM ASTM D2000 |
| 14 | O-Ring | EPDM ASTM D2000 |

| Item No. | Dimensions(Inch) | | | | | | | Handwheel H | Wrench Nut H | TURN TO OPEN |
|------------|------------------|---------|------|------|------|-------|-------|----------------|-----------------|-----------------|
| | Size | M (NPT) | V | Q | W | L | | | | |
| | JQZ002 02 | 2" | 2" | 1.97 | 0.79 | 7.09 | 7.24 | 9.84 | 10.63 | |
| JQZ002 025 | 2.5" | 2.5" | 2.56 | 1.14 | 7.09 | 7.50 | 10.39 | 11.02 | 8.5 | |
| JQZ002 03 | 3" | 3" | 3.15 | 1.22 | 7.87 | 8.00 | 11.22 | 11.61 | 10 | |
| JQZ002 04 | 4" | 4" | 3.94 | 1.30 | 9.84 | 9.00 | 14.17 | 14.96 | 13 | |
| JQZ002 06 | 6" | 6" | 5.91 | 1.52 | 9.84 | 10.50 | 17.28 | 17.72 | 18.5 | |

| | | |
|--|-----------|------------------|
| DESCRIPTION | Proj. | JQ Z002-001 |
| AWWA C515 Thread Resilient NRS Gate Valve | DWG# | REV. |
| | JK-0015 0 | |
| | WN | APPR. |
| | CINDY | KUHN HU 3-7-2025 |