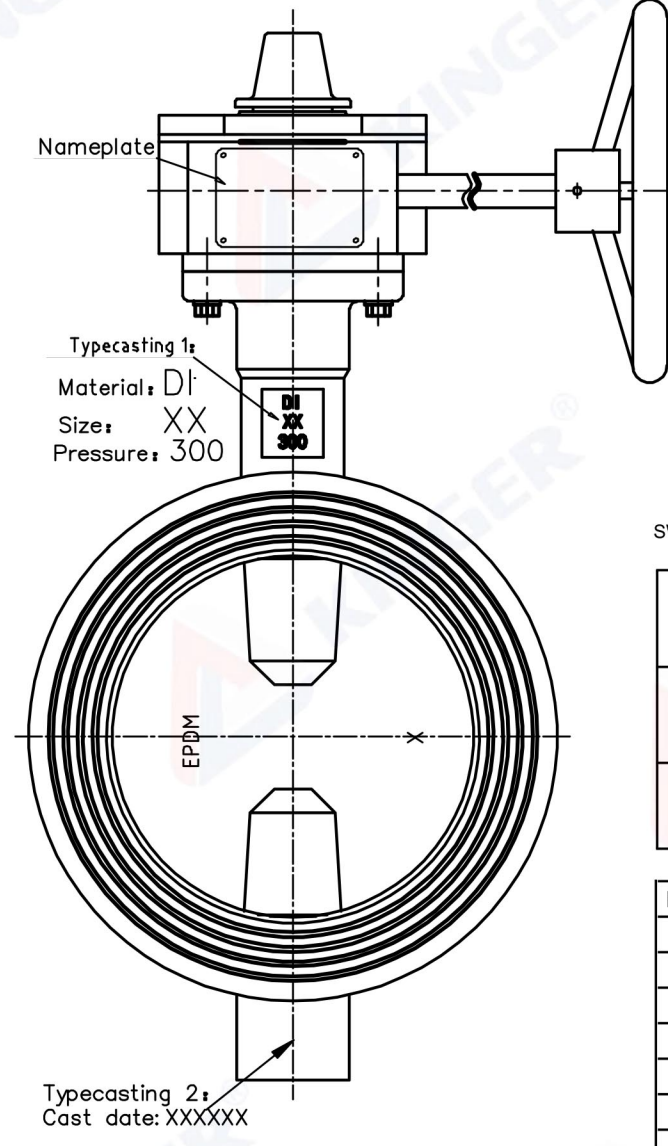
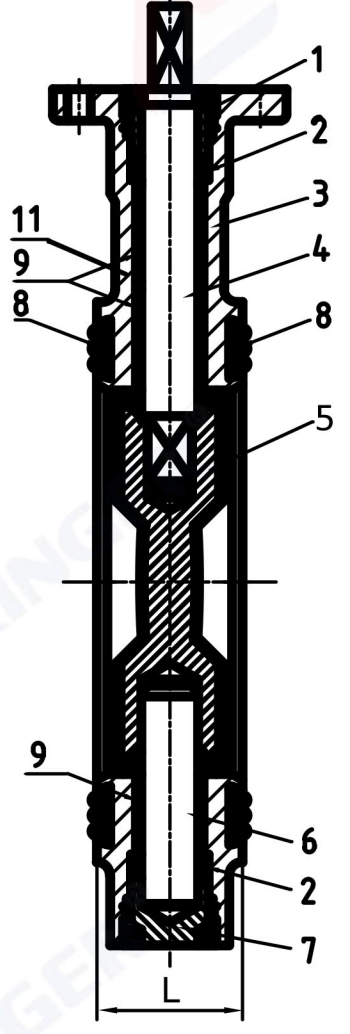
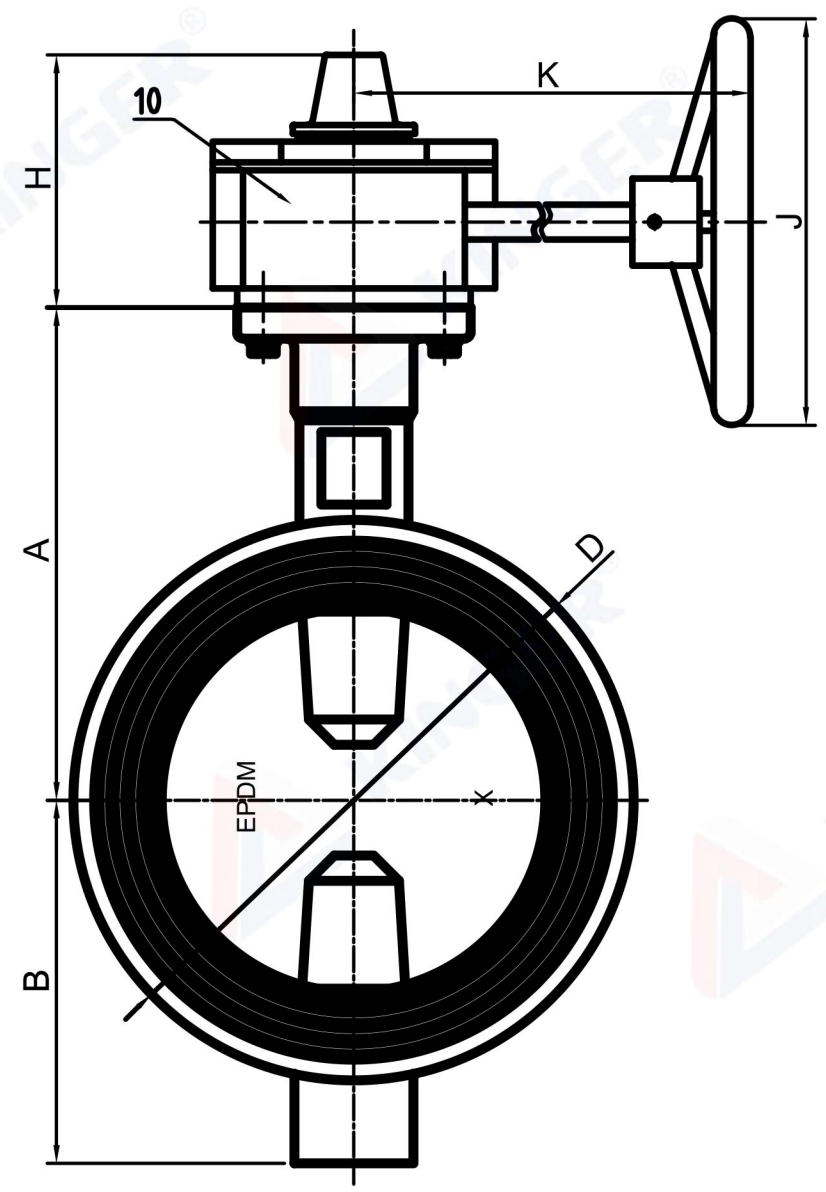
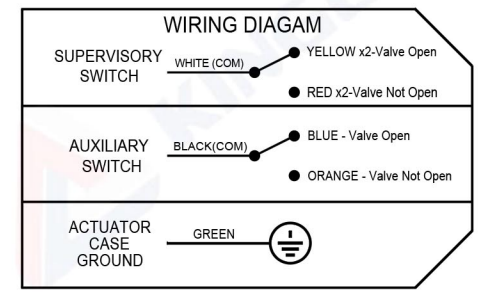


APPLICABLE STANDARD	
Design&Manufacture	MSS SP-67
End Connection	ASME B16.1 CL125 ASME B16.42 CL150
Top Flange Standard	ISO5211
Working Temperature	32°F -176°F
Medium	Water

TESTING DETAILS	
DESCRIPTION	TEST PRESSURE
SHELL TEST	600PSI
SEAT TEST	600PSI



SWITCH WIRING DIAGRAM



PART NO.	Description	Material Specification	
1	Upper Shaft Sealing Nut	WCB ASTM A216	
2	Shaft Seal	EPDM ASTM D2000	
3	Body	Ductile Iron ASTM A536	
4	Upper Shaft	Stainless Steel 416 ASTM A582	
5	Disc	EPDM ASTM D2000+DI ASTM A536	
6	Lower Shaft	Stainless Steel 416 ASTM A582	
7	Lower Shaft Sealing Nut	WCB ASTM A216	
8	End Face Seal	EPDM ASTM D2000	
9	Stem Bushing	2"-6"	PTFE
		8"	FZ2175
		10"-12"	Brass+Graphite
10	Gear Box		
11	O-Ring	EPDM ASTM D2000	

DESCRIPTION		Proj.	JKDWD-371X /JKDWD-371Y	
Wafer Butterfly Valve with Tamper Switch 300PSI		DWG#	REV.	
		JKD371-001		0
		WN	APPR.	DATE
		CINDY	KUHN HU	3-7-2025

CUSTOMER			
PAGE NO			

Item No.	Dimensions(Inch)												
	Size	A	B	D	E	F	G	H	K	J	L		
JKDGD381X02	2"	4.33	3.35	2.375	2.250	0.625	0.312	4.37	8.58	6.02	3.39	3.46	3.19
JKDGD381X025	2.5"	4.92	3.74	2.875	2.720	0.625	0.312	4.37	8.58	6.02	5.98	3.80	
				2.996	2.845								
JKDGD381X03	3"	5.51	3.94	3.500	3.344	0.625	0.312	4.37	8.58	6.02	5.98	3.82	
JKDGD381X04	4"	6.30	3.94	4.500	4.334	0.625	0.375	4.37	8.58	6.02	5.98	4.53	
JKDGD381X05	5"	6.69	4.92	5.500	5.334	0.625	0.375	4.37	8.58	6.02	5.98	5.21	5.83
				5.563	5.395								
JKDGD381X06	6"	7.48	5.51	6.500	6.335	0.625	0.375	4.37	8.58	6.02	7.87	5.21	5.83
				6.625	6.455								
JKDGD381X08	8"	9.06	6.89	8.625	8.441	0.750	0.438	4.96	9.13	8.27	11.81	5.80	5.24
JKDGD381X/Y10	10"	10.24	7.87	10.750	10.562	0.750	0.500	6.34	9.80		13.78	6.26	
JKDGD381X/Y12	12"	11.81	9.45	12.750	12.531	0.750	0.500	6.34	9.80		13.78	6.50	