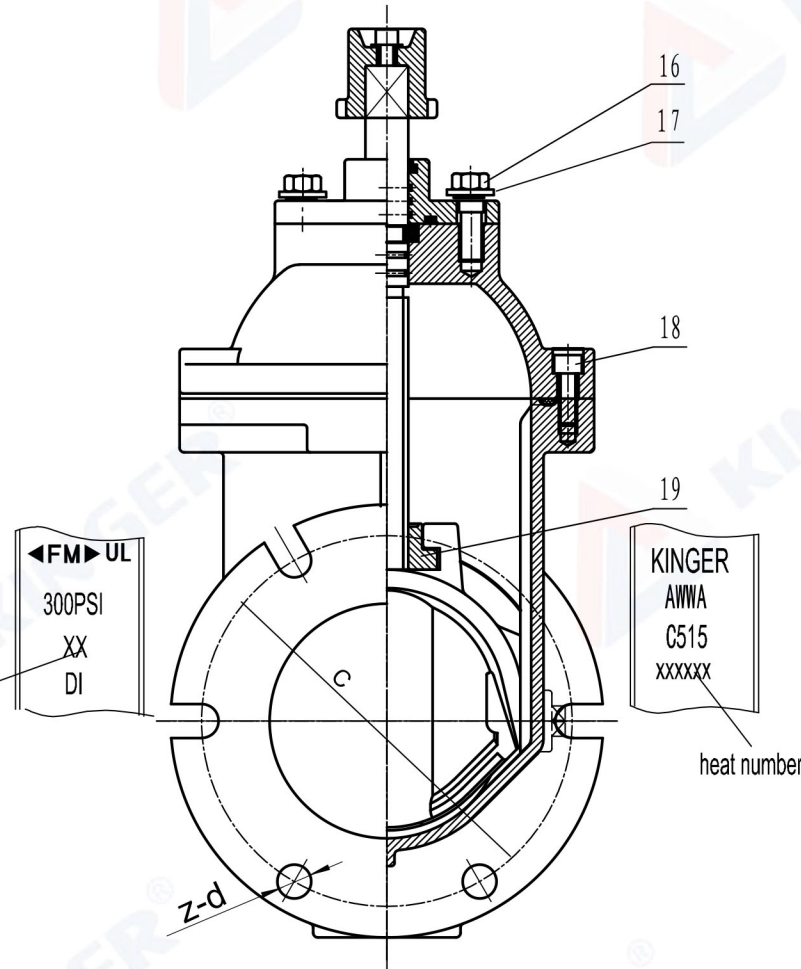
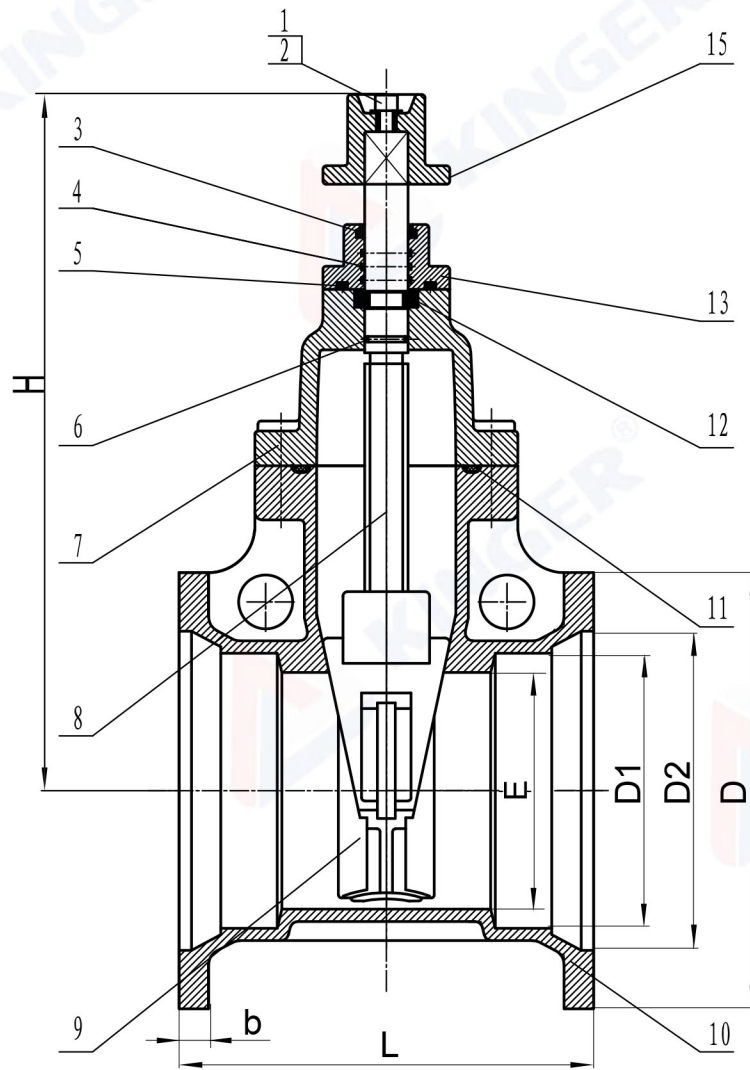



APPLICABLE STANDARD	
Design&Manufacture	AWWA C515
End Connection	ANSI/AWWA C153/A21.53/ ANSI/AWWA C110/A21.10
Face-to-Face and End-to-End Dimensions	ASME B16.10
Working Temperature	32°F -176°F
Medium	Water

TESTING DETAILS	
DESCRIPTION	TEST PRESSURE
SHELL TEST	600PSI
SEAT TEST	450PSI



PART NO.	Description	Material Specification
1	Flat Washer	Stainless Steel 304
2	Hexagon Socket Screw	Stainless Steel 304
3	Sealing Ring	EPDM ASTM D2000
4	O-Ring	EPDM ASTM D2000
5	Sealing Ring	EPDM ASTM D2000
6	O-Ring	EPDM ASTM D2000
7	Bonnet	Ductile Iron ASTM A536
8	Stem	Stainless Steel 304
9	Disc	EPDM ASTM D2000 +DI ASTM A536
10	Body	Ductile Iron ASTM A536
11	Sealing Ring	EPDM ASTM D2000
12	Retaining Ring	ASTM B148 C95400
13	Gland	Ductile Iron ASTM A536
15	Wrench Nut	Ductile Iron ASTM A536
16	Bolt	Stainless Steel 304
17	Washer	Stainless Steel 304
18	Hexagon Socket Screw	Stainless Steel 304
19	Stem Nut	ASTM B148 C95400

Item No.	Dimensions(Inch)											TURN TO OPEN
	Size	D	E	C	D1	D2	b	z	d	L	H	
JKDZ45M03	3"	7.69	3.14	6.19	4.06	4.94	0.75	4	0.750	8.00	12.68	8
JKDZ45M04	4"	9.12	4.05	7.50	4.90	6.02	0.75	4	0.875	9.00	13.46	11
JKDZ45M06	6"	11.12	6.07	9.50	7.00	8.12	0.75	6	0.875	10.50	17.64	13
JKDZ45M08	8"	13.37	8.06	11.75	9.15	10.27	0.88	6	0.875	11.50	21.02	17.5
JKDZ45M10	10"	15.69	10.08	14.00	11.20	12.34	0.94	8	0.875	13.00	25.00	22
JKDZ45M12	12"	17.94	12.09	16.25	13.30	14.44	1.00	8	0.875	14.00	28.35	26

DESCRIPTION		Proj.	JKDZ45M-001	
AWWA C515 Mechanical Joint Resilient NRS Gate Valve		DWG#	REV.	
		JK-002	0	
WN	APPR.	DATE		
CINDY	KUHN HU	3-7-2025		
CUSTOMER				
PAGE NO	1 of 1			
For special material requests beyond the standard specifications, please clearly note them on your inquiry or order form.				