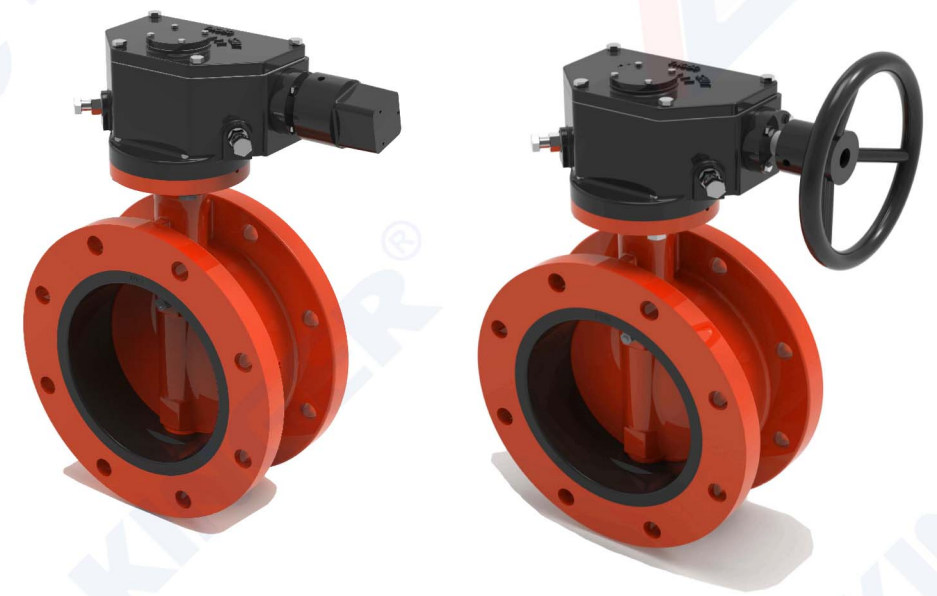
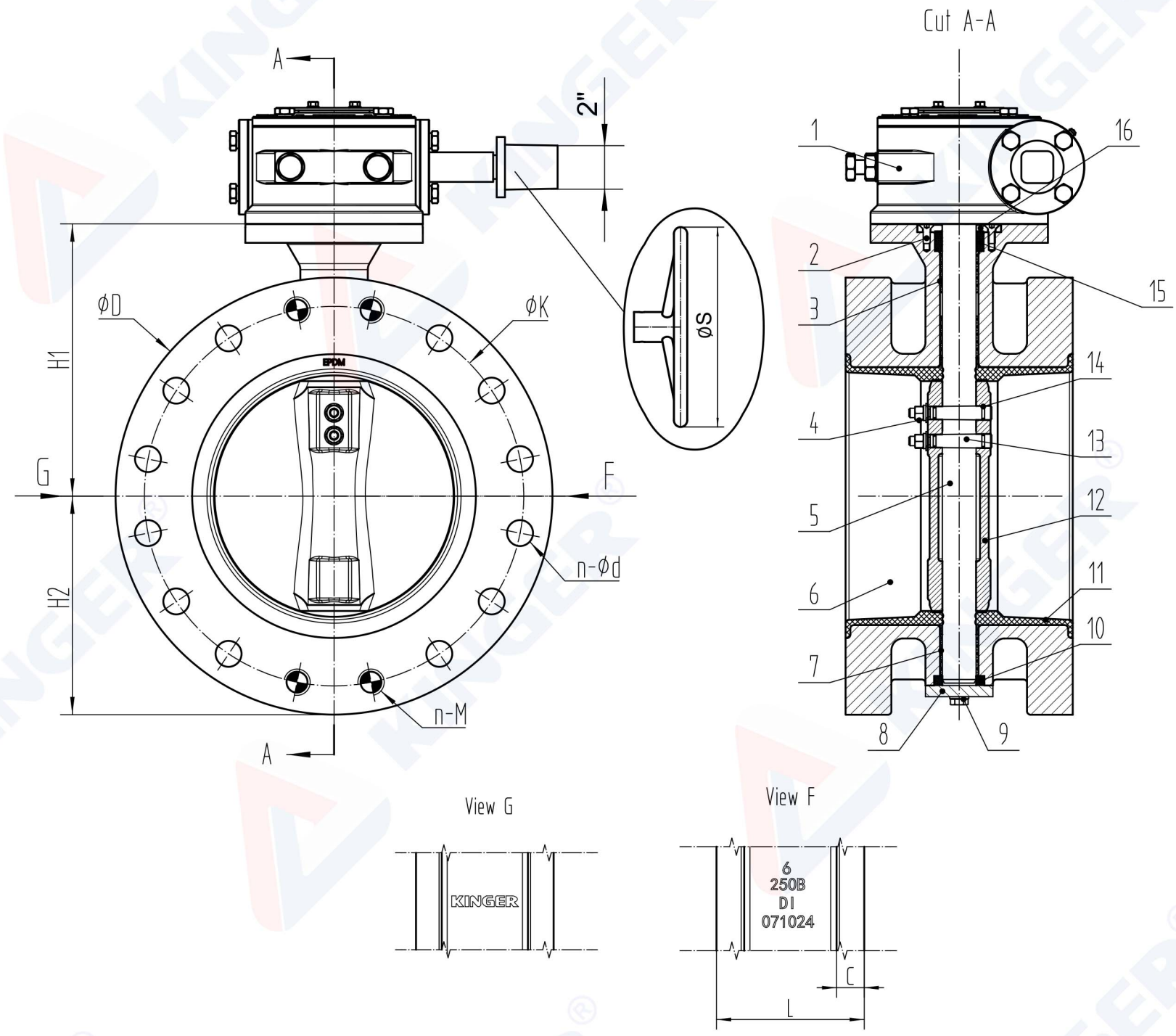


APPLICABLE STANDARD		TESTING DETAILS	
Design&Manufacture	AWWA C504	DESCRIPTION	TEST PRESSURE
End Connection	ASME B16.1 CL250	SHELL TEST	500PSI
Working Temperature	32°F-176°F	SEAT TEST	250PSI
Medium	Water		



PART NO.	Description	Material Specification
1	Gear Box	
2	Sunk screw	Stainless Steel 316
3	Top Bearing	Fiberglass resin back+Teflon lined
4	Hex Nut	Stainless Steel 316
5	Stem	Stainless Steel 316
6	Body	Ductile Iron ASTM A536 65-45-12
7	Bottom Bearing	Fiberglass resin back+Teflon lined
8	Bottom Cover	Carbon Steel 45#
9	Hex Bolt	Stainless Steel 316
10	4"-8" O-Ring 10"-12" V-Ring	EPDM ASTM D2000
11	Body Seat	EPDM ASTM D2000
12	Disc	DI ASTM A536+Stainless Steel 316
13	Pin	Stainless Steel 630
14	O-Ring	EPDM ASTM D2000
15	V-Ring	EPDM ASTM D2000
16	Gland	Stainless Steel 316

DESCRIPTION	Proj.	KBFV250FF-001	
AWWA C504 Flanged Butterfly Valve Class250 250PSI	DWG#	KBFV250-001	
	REV.	0	
	DWN	APPR.	DATE
	CINDY	KUHN HU	3-7-2025

CUSTOMER			
PAGE NO	1 of 1	For special material requests beyond the standard specifications, please clearly note them on your inquiry or order form.	

Item.No	Dimensions(Inch)									ØS
	Size	L	H1	H2	ØD	ØK	n-Ød	nxM	C	
KBFV250-FF04	4"	5.00	6.30	5.00	10.00	7.88	8-7/8"	/	1.25	8
KBFV250-FF06	6"	6.00	7.48	6.25	12.50	10.62	12-7/8"	/	1.44	8
KBFV250-FF08	8"	8.00	9.06	7.50	15.00	13.00	12-1"	/	1.62	8
KBFV250-FF10	10"	8.00	10.24	8.75	17.50	15.25	12-1 1/8"	4-1-8UNC	1.88	8
KBFV250-FF12	12"	8.00	11.80	9.50	20.50	17.75	12-1 1/4"	4-1 1/8-7UNC	2.00	8