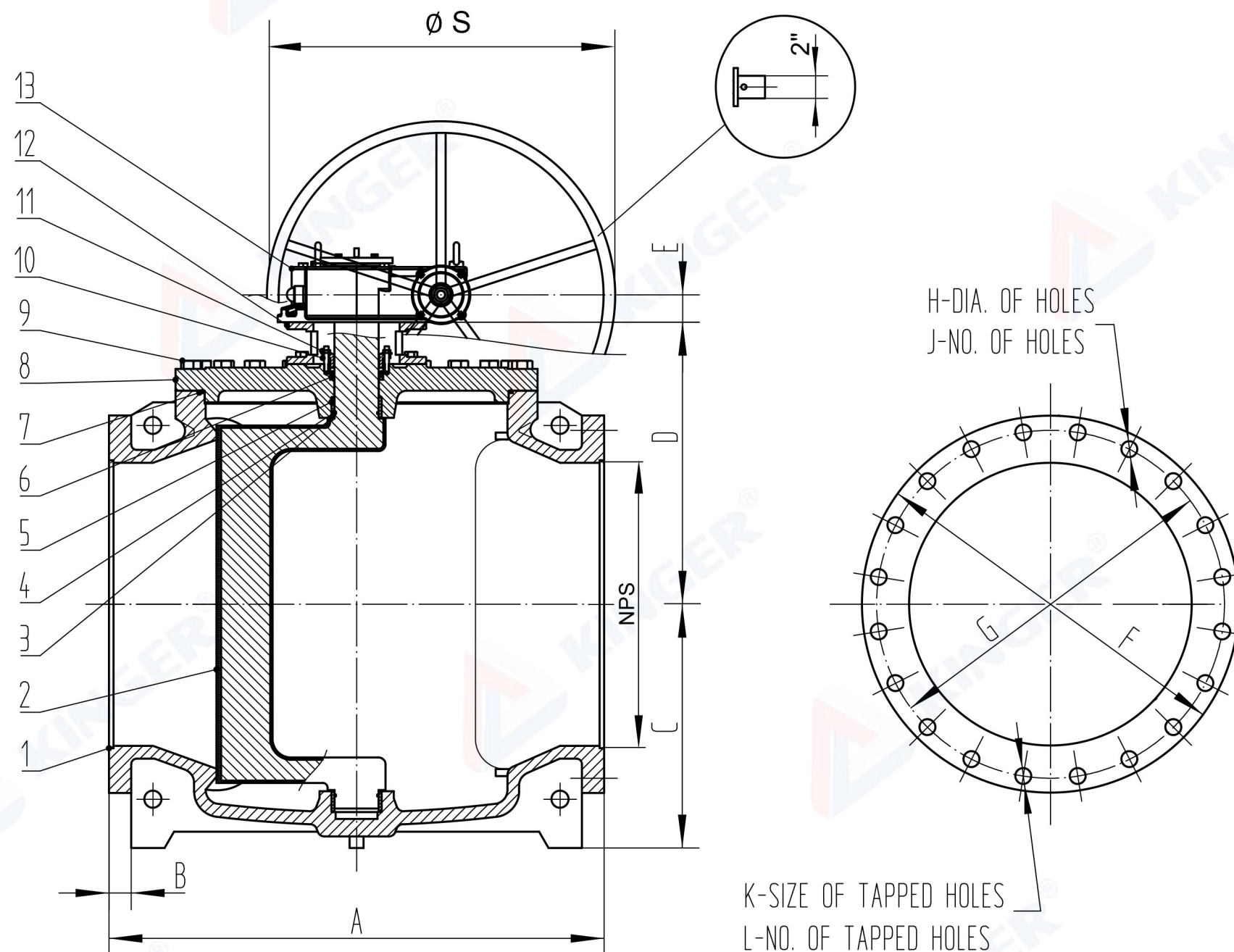
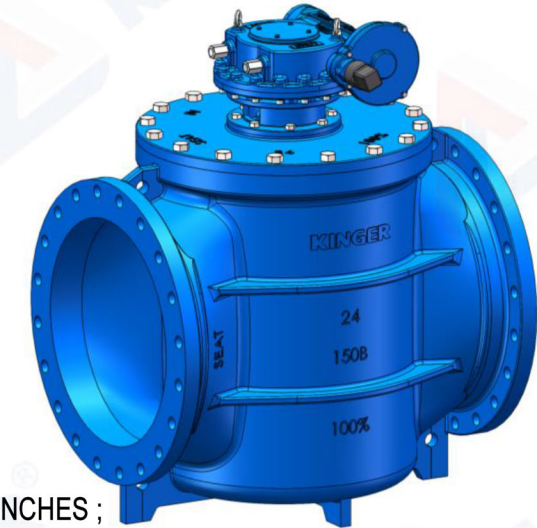


| Item No.    | NPS | Dimensions(Inch) |       |       |      |       |       |      |       |    |            |     |    |
|-------------|-----|------------------|-------|-------|------|-------|-------|------|-------|----|------------|-----|----|
|             |     | A                | C     | D     | E    | F     | G     | B    | H     | J  | K          | L   | ØS |
| KPL150-GH14 | 14" | 17.00            | 13.11 | 17.00 | 2.00 | 21.00 | 18.75 | 1.38 | 1.125 | 8  | 1-8UNC     | 4   | 24 |
| KPL150-GH16 | 16" | 17.75            | 14.37 | 17.72 | 2.00 | 23.50 | 21.25 | 1.44 | 1.125 | 8  | 1-8UNC     | 8   | 24 |
| KPL150-GH18 | 18" | 21.50            | 15.95 | 19.10 | 3.15 | 25.20 | 22.75 | 1.56 | 1.250 | 8  | 1.125-7UNC | 8   | 20 |
| KPL150-GH20 | 20" | 23.50            | 16.62 | 20.00 | 3.55 | 28.15 | 25.00 | 1.69 | 1.250 | 12 | 1.125-7UNC | 8   | 24 |
| KPL150-GH24 | 24" | 42.00            | 20.67 | 23.30 | 3.98 | 32.00 | 29.50 | 1.88 | 1.375 | 20 | N/A        | N/A | 24 |

| Specification               |                  |     |     |
|-----------------------------|------------------|-----|-----|
| Cold Working Pressure (CWP) | 150              | PSI |     |
| Test Pressure               | Shell Test(Hyd.) |     | 225 |
|                             | Seal Test(Hyd.)  |     | 150 |
| Reverse Pressure Test(Hyd.) | 150              |     |     |
| Working Temperature         | 32°F -176°F      |     |     |
| Medium                      | Water            |     |     |



**NOTES:**

1. ALL DIMENSIONS ARE IN INCHES ;
2. DESIGN STANDARD PER AWWA C517 ;
3. FLANGE STANDARD PER ASME B16.1 CLASS125 ;

| Part No. | Description    | Material Specification               |
|----------|----------------|--------------------------------------|
| 1        | Body           | Ductile Iron ASTM A536+95%Ni         |
| 2        | Plug           | DI ASTM A536 65-45-12+NBR ASTM D2000 |
| 3        | Thrust Washer  | PTFE                                 |
| 4        | Grit Seal      | NBR ASTM D2000                       |
| 5        | Sleeve Bearing | Stainless Steel 316                  |
| 6        | V Packing      | NBR ASTM D2000                       |
| 7        | O-Ring         | NBR ASTM D2000                       |
| 8        | Bonnet         | Ductile Iron ASTM A536               |
| 9        | Bonnet Bolt    | Stainless Steel 316                  |
| 10       | Gland          | Ductile Iron ASTM A536               |
| 11       | Gland Fastener | Stainless Steel 316                  |
| 12       | Gear Adapter   | Ductile Iron ASTM A536               |
| 13       | Worm Gear      | Assembly                             |

|   |       |                 |      |
|---|-------|-----------------|------|
| DESCRIPTION                                   | Proj. | KPL150-GH-14/24 |      |
| <b>AWWA C517 Flanged Eccentric Plug Valve</b> | DWG#  | KPL-003         |      |
|   | REV.  | 1               |      |
|   | DWN   | APPR.           | DATE |
| CINDY   | KUHN  | 9/23/2021       |      |