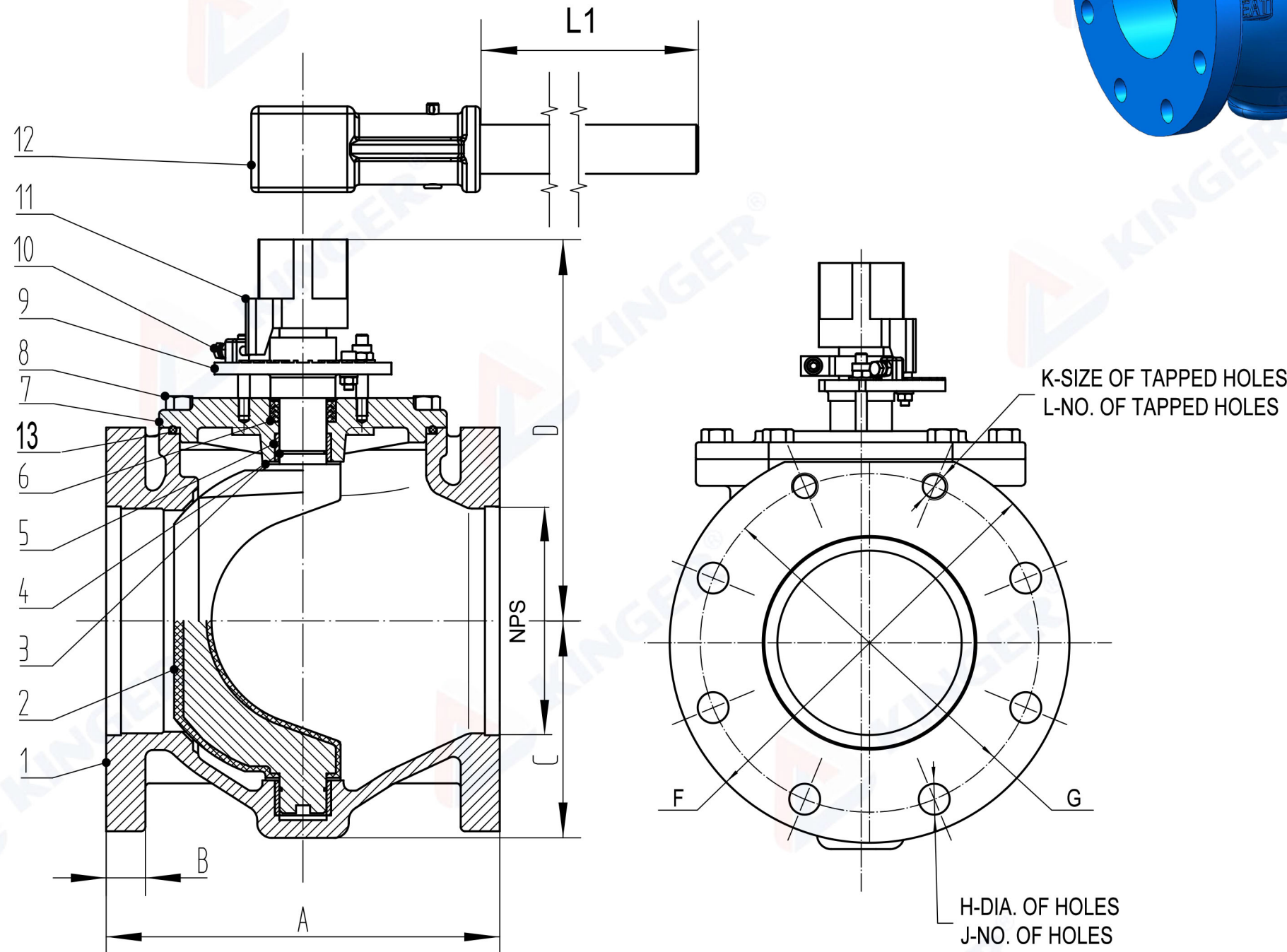
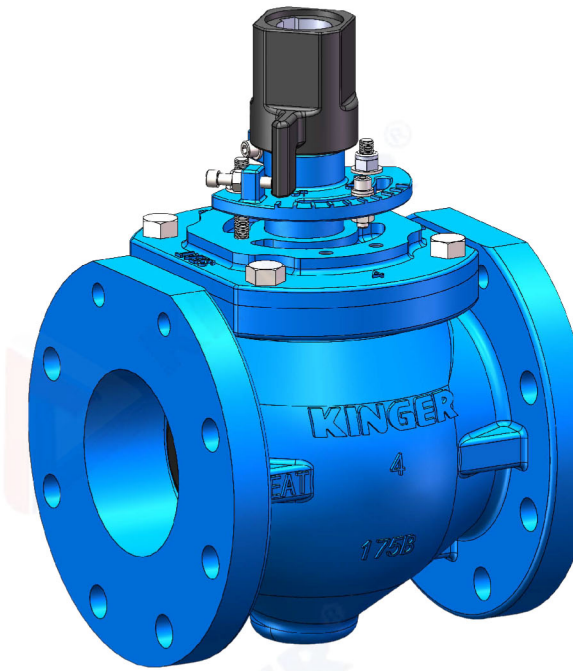


Item No.	NPS	Dimensions(Inch)										
		A	C	D	F	G	B	H	J	K	L	L1
KPL175-CNT03	3"	8.00	3.54	8.60	7.87	6.00	0.75	0.750	4	5/8-11UNC	N/A	10.2
KPL175-CNT04	4"	9.00	4.53	9.35	9.00	7.50	0.94	0.750	6	5/8-11UNC	2	10.2
KPL175-CNT06	6"	10.50	5.79	10.66	11.22	9.50	1.00	0.875	6	3/4-10UNC	2	19.1
KPL175-CNT08	8"	11.50	7.33	12.91	13.50	11.75	1.12	0.875	6	3/4-10UNC	2	19.1

Specification			
Cold Working Pressure (CWP)	175	PSI	
Test Pressure	Shell Test(Hyd.)		265
	Seal Test(Hyd.)		175
	Reverse Pressure Test(Hyd.)		175
Working Temperature	32°F -176°F		
Medium	Water		



NOTES:

1. ALL DIMENSIONS ARE IN INCHES ;
2. DESIGN STANDARD PER AWWA C517 ;
3. FLANGE STANDARD PER ASME B16.1 CLASS125 ;

Part No.	Description	Material Specification
1	Body	Ductile Iron ASTM A536+95%Ni
2	Plug	DI ASTM A536 65-45-12+NBR ASTM D2000
3	Thrust Washer	PTFE
4	Grit Seal	NBR ASTM D2000
5	Sleeve Bearing	Stainless Steel 316
6	"V" Packing	NBR ASTM D2000
7	Bonnet	Ductile Iron ASTM A536 65-45-12
8	Bonnet Bolt	Stainless Steel 316
9	Friction Collar	ZG310-570
10	Fastener	Stainless Steel 316
11	Nut	Ductile Iron ASTM A536 65-45-12
12	Lever	Carbon Steel
13	O-Ring	NBR ASTM D2000

DESCRIPTION	Proj.	KPL175-CNT	
AWWA C517 Flanged Eccentric Plug Valve	DWG#	KPL-005	REV.
			1
	DWN	APPR. <th>DATE</th>	DATE
	CINDY	KUHN	9/23/2021

CUSTOMER	 <b>KINGER INDUSTRY INC.</b>
PAGE NO.	
<small>KINGER RESERVES THE RIGHT TO CHANGE DESIGN &amp; MATERIAL WITHOUT PRIOR NOTICE PLEASE CONNECT KINGER FOR UPDATED DATA BEFORE PLACING THE ORDER.</small>	