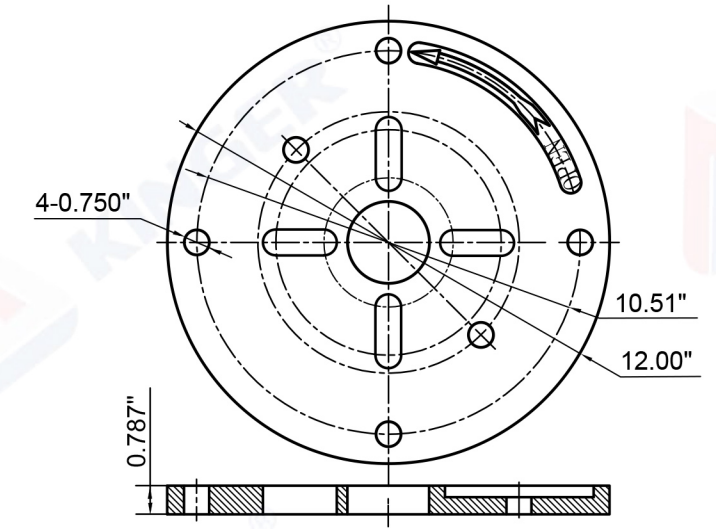
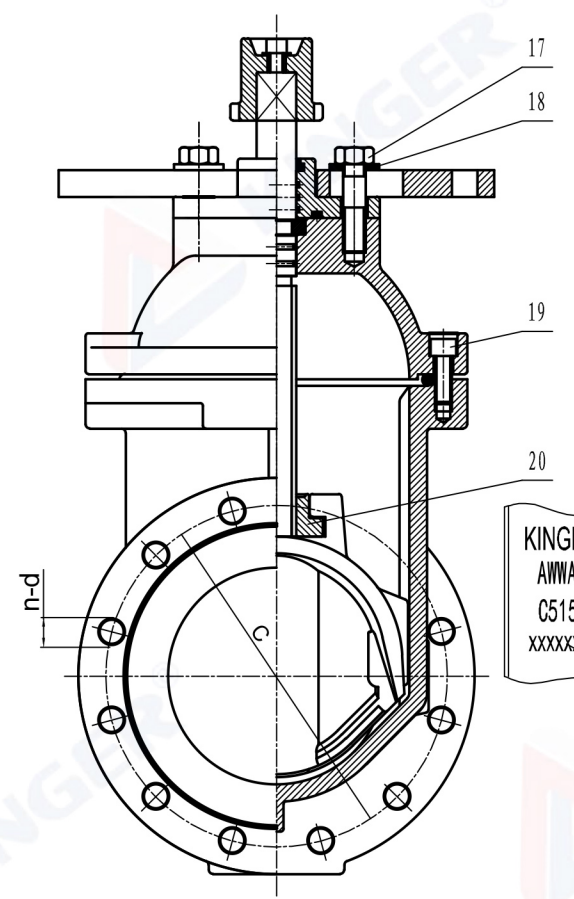
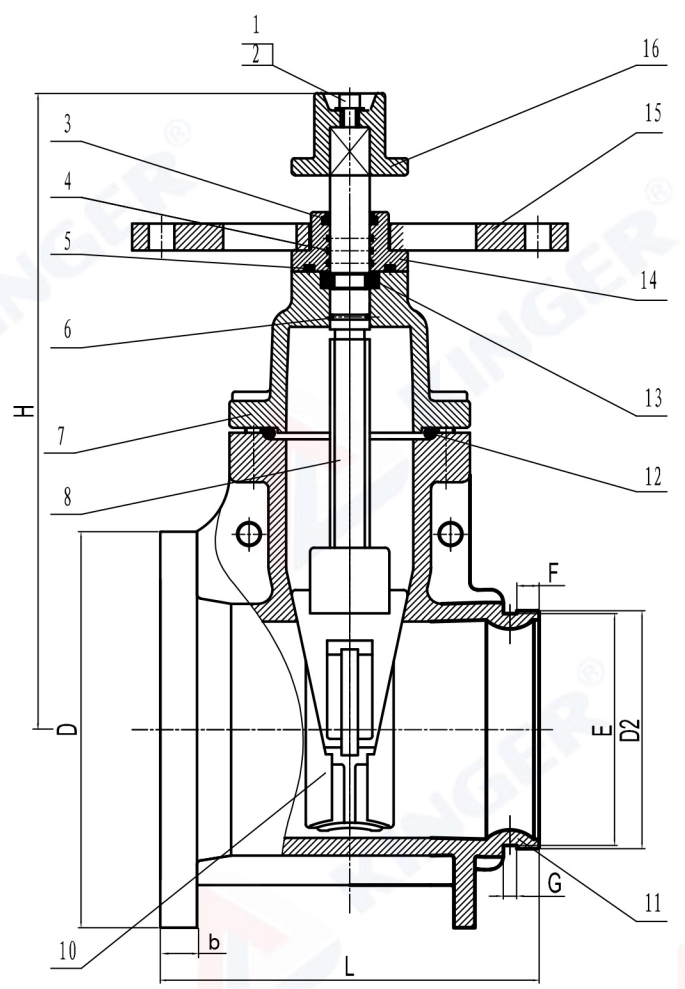


TESTING DETAILS	
DESCRIPTION	TEST PRESSURE
SHELL TEST	600PSI
SEAT TEST	450PSI

APPLICABLE STANDARD	
Design&Manufacture	<b>AWWA C515</b>
End Connection	ASME B16.1 CL125/ ASME B16.42 CL150 AWWA C606
Face-to-Face and End-to-End Dimensions	ASME B16.10
Working Temperature	32°F -176°F
Medium	Water



◀FM▶ UL  
300PSI  
XX  
DI

KINGER  
AWWA  
C515  
XXXXXX

PART NO.	Description	Material Specification
1	Flat Washer	Stainless Steel 304
2	Hexagon Socket Screw	Stainless Steel 304
3	Sealing Ring	EPDM ASTM D2000
4	O-Ring	EPDM ASTM D2000
5	Sealing Ring	EPDM ASTM D2000
6	O-Ring	EPDM ASTM D2000
7	Bonnet	Ductile Iron ASTM A536
8	Stem	Stainless Steel 304
10	Disc	EPDM ASTM D2000 +DI ASTM A536
11	Body	Ductile Iron ASTM A536
12	Sealing Ring	EPDM ASTM D2000
13	Retaining Ring	ASTM B148 C95400
14	Gland	Ductile Iron ASTM A536
15	Post Plate	Ductile Iron ASTM A536
16	Wrench Nut	Ductile Iron ASTM A536
17	Bolt	Stainless Steel 304
18	Washer	Stainless Steel 304
19	Hexagon Socket Screw	Stainless Steel 304
20	Stem Nut	ASTM B148 C95400

Item No.	Dimensions(Inch)											TURN TO OPEN	
	Size	Flange					Grooved				L		H
		D	C	b	n	d	D2	E	F	G			
JKDZ485GFPF025	2.5	7.00	5.50	0.69	4	0.750	2.875	2.720	0.625	0.312	7.50	11.50	7
							2.996	2.845					
JKDZ485GFPF03	3	7.50	6.00	0.75	4	0.750	3.500	3.344	0.625	0.312	8.00	12.68	8
JKDZ485GFPF04	4	9.00	7.50	0.94	8	0.750	4.500	4.334	0.625	0.375	9.00	13.46	11
JKDZ485GFPF05	5	10.00	8.50	0.94	8	0.875	5.500	5.334	0.625	0.375	10.00	16.22	11.5
							5.563	5.395					
JKDZ485GFPF06	6	11.00	9.50	1.00	8	0.875	6.500	6.335	0.625	0.375	10.50	17.64	13
							6.625	6.455					
JKDZ485GFPF08	8	13.50	11.75	1.12	8	0.875	8.625	8.441	0.750	0.438	11.50	21.02	17.5
JKDZ485GFPF10	10	16.00	14.25	1.19	12	1.000	10.750	10.562	0.750	0.500	13.00	25.00	22
JKDZ485GFPF12	12	19.00	17.00	1.25	12	1.000	12.750	12.531	0.750	0.500	14.00	28.35	26

DESCRIPTION	Proj.	JKDZ485GFPF-001	
<b>AWWA C515 Flanged X Grooved Resilient NRS Gate Valve with Post Flange</b>	DWG#	REV.	
	JK-0010	0	
	WN	APPR.	DATE
	CINDY	KUHN HU	3-7-2025