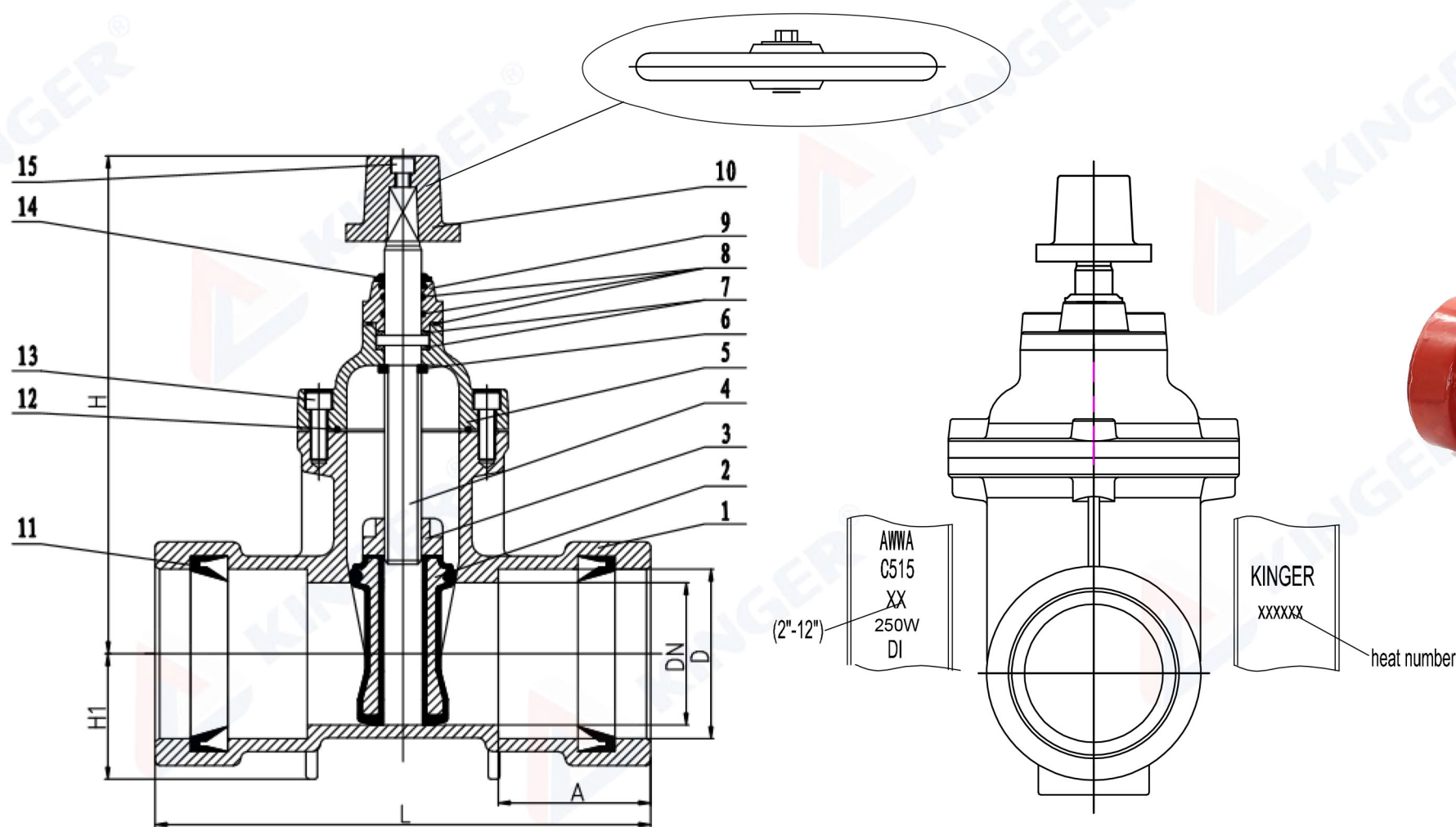


| APPLICABLE STANDARD | |
|---------------------|------------------|
| Design&Manufacture | AWWA C515 |
| End Connection | ANSIAWWA C111 |
| Working Temperature | 32°F -176°F |
| Medium | Water |

| TESTING DETAILS | |
|-----------------|---------------|
| DESCRIPTION | TEST PRESSURE |
| SHELL TEST | 500PSI |
| SEAT TEST | 250PSI |



| Part No. | Description | Material Specification |
|----------|----------------------|------------------------------|
| 1 | Body | Ductile Iron ASTM A536 |
| 2 | Wedge | EPDM ASTM D2000+DI ASTM A536 |
| 3 | Stem Nut | Brass ASTM B283 C37700 |
| 4 | Stem | Stainless Steel 304 |
| 5 | Bonnet | Ductile Iron ASTM A536 |
| 6 | Wedge Nut Gasket | EPDM ASTM D2000 |
| 7 | Stem Bushing | Nylon/Brass ASTM B124 C37700 |
| 8 | O-Ring | EPDM ASTM D2000 |
| 9 | Gland | Ductile Iron ASTM A536 |
| 10 | Wrench Nut/Handwheel | Ductile Iron ASTM A536 |
| 11 | Rubber Ring | EPDM ASTM D2000 |
| 12 | Bonnet Gasket | EPDM ASTM D2000 |
| 13 | Bonnet/Gland Bolt | Stainless Steel 304 |
| 14 | Dust Cap | EPDM ASTM D2000 |
| 15 | Top Bolts | Stainless Steel 304 |

| Item No. | Dimensions(Inch) | | | | | | | TURN TO OPEN |
|----------|------------------|-------|------|-------|------|------------|-----------|--------------|
| | Size | D | A | L | H1 | Wrench Nut | Handwheel | |
| | | | | | | H | H | |
| JPSN02 | 2" | 2.46 | 3.48 | 10.24 | 2.17 | 12.00 | 12.01 | 7 |
| JPSN025 | 2.5" | 2.97 | 3.54 | 10.75 | 2.68 | 12.40 | 12.40 | 8.5 |
| JPSN03 | 3" | 3.62 | 4.02 | 12.01 | 2.83 | 13.62 | 13.62 | 10 |
| JPSN04 | 4" | 4.67 | 4.21 | 13.7 | 3.35 | 15.55 | 15.16 | 13 |
| JPSN06 | 6" | 6.81 | 5.51 | 16.85 | 4.84 | 20.47 | 19.29 | 18.5 |
| JPSN08 | 8" | 8.78 | 6.1 | 18.5 | 5.91 | 23.43 | 23.43 | 24.5 |
| JPSN10 | 10" | 10.91 | 6.69 | 21.26 | 7.28 | 28.35 | 28.35 | 30.5 |
| JPSN12 | 12" | 12.91 | 9.06 | 26.46 | 8.27 | 31.38 | 31.38 | 36.5 |

| | | |
|---|---------|----------|
| DESCRIPTION | Proj. | JPSN-001 |
| AWWA C515 Push On Resilient NRS Gate Valve | DWG# | REV. |
| | JK-0014 | 0 |
| | WN | APPR. |
| | CINDY | DATE |
| | APPR. | 3-7-2025 |