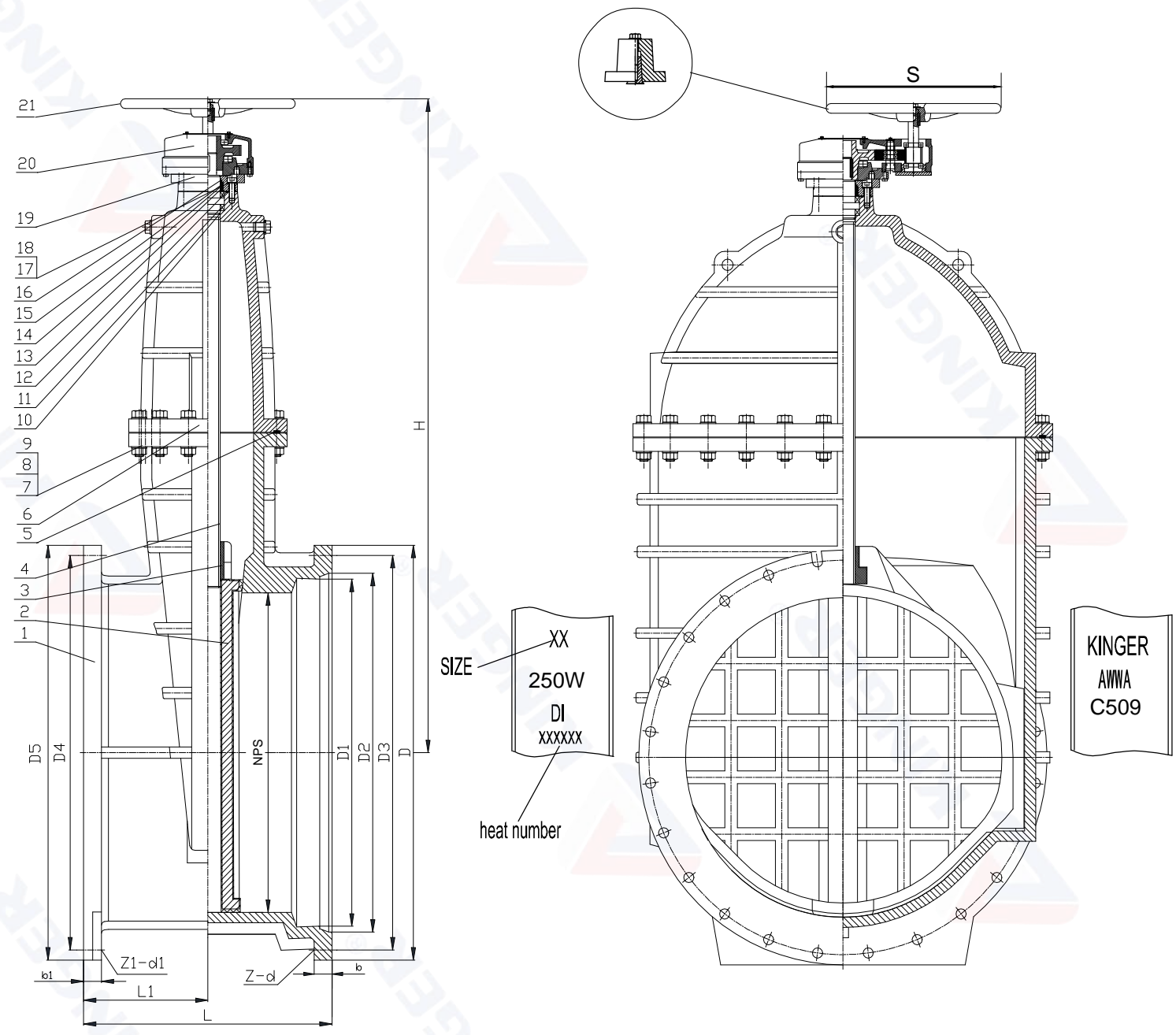


APPLICABLE STANDARD	
Design&Manufacture	AWWA C509
End Connection	ASME B16.1 CL125/ ASME B16.42 CL150
	ANSI/AWWA C153/A21.53/ ANSI/AWWA C110/A21.10
Gear Flange	ISO5211
Working Temperature	32°F -176°F
Medium	Water

TESTING DETAILS	
DESCRIPTION	TEST PRESSURE
SHELL TEST	500PSI
SEAT TEST	250PSI



Part No.	Description	Material Specification
1	Body	Ductile Iron ASTM A536
2	Wedge	DI ASTM A536 +EPDM ASTM D2000
3	Stem Nut	Brass ASTM B16
4	Stem	Stainless Steel SS316
5	Gasket	EPDM ASTM D2000
6	Bonnet	Ductile Iron ASTM A536
7	Bonnet Bolt	Stainless Steel SS316
8	Nut	Stainless Steel SS316
9	Washer	Stainless Steel SS316
10	O-Ring	EPDM ASTM D2000
11	Minipad	14-24" PTFE
	Bearing	30-48" Stainless Steel SS316
12	O-Ring	EPDM ASTM D2000
13	O-Ring	EPDM ASTM D2000
14	O-Ring	EPDM ASTM D2000
15	Seal Ring	Brass ASTM B16
16	Dust Ring	EPDM ASTM D2000
17	Bolt	Stainless Steel SS316
18	Washer	Stainless Steel SS316
19	Gland	Ductile Iron ASTM A536
20	Gear Box	
21	Handwheel	Ductile Iron ASTM A536

Item No.	Dimensions(Inch)													TURN TO OPEN	TUM RANGE				
	NPS	Flange					Mechanical												
		D5	D4	b1	z1	d1	D	D1	D2	D3	b	z	d			S	L1	L	H
JH004X-S14	14"	21.00	18.75	1.38	12	1.125	20.31	15.44	16.54	18.75	1.31	10	0.875	16	7.50	14.50	37.40	354	±5
JH004X-S16	16"	23.50	21.25	1.44	16	1.125	22.56	17.54	18.64	21.00	1.38	12	0.875	16	7.99	16.99	40.55	306	
JH004X-S18	18"	25.00	22.75	1.56	16	1.250	24.83	19.64	20.74	23.25	1.44	12	0.875	16	8.50	18.15	43.31	342	
JH004X-S20	20"	27.50	25.00	1.69	20	1.250	27.08	21.74	22.84	25.50	1.50	14	0.875	16	9.00	19.00	46.46	384	
JH004X-S24	24"	32.00	29.50	1.88	20	1.375	31.58	25.94	27.04	30.00	1.62	16	0.875	16	10.00	21.00	52.76	456	±7
JH004X-S30	30"	38.75	36.00	2.12	28	1.375	39.12	32.17	33.46	36.88	1.81	20	1.125	16	12.01	24.02	66.93	282	
JH004X-S36	36"	46.00	42.75	2.38	32	1.625	46.00	38.47	39.76	43.75	2.00	24	1.125	16	14.00	27.99	73.82	587	
JH004X-S42	42"	53.00	49.50	2.62	36	1.625	53.12	44.67	45.96	50.62	2.00	28	1.375	16	17.99	35.98	84.53	782	±9
JH004X-S48	48"	59.50	56.00	2.75	44	1.625	60.00	50.97	52.26	57.50	2.00	32	1.375	16	22.01	43.51	104.72	874	

DESCRIPTION	Proj.	JH004X-S001	
AWWA C509 Flanged x Mechanical Resilient NRS Gate Valve & Supur gears	DWG#	REV.	
	JH-011	0	
	WN	APPR.	DATE
	CINDY	KUHN HU	3-7-2025