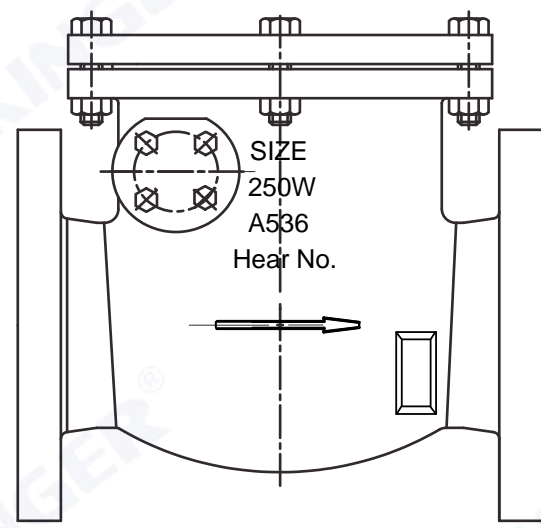
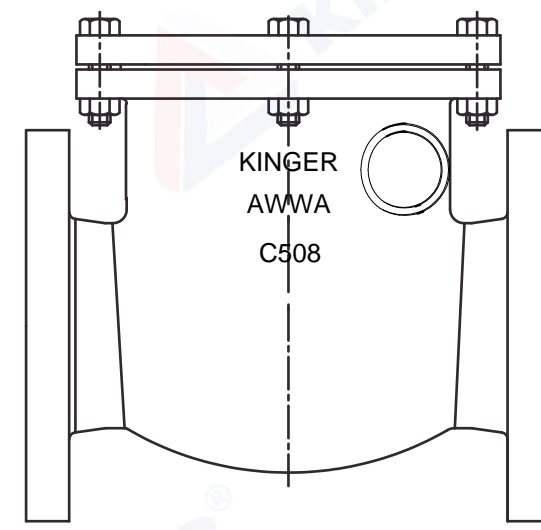
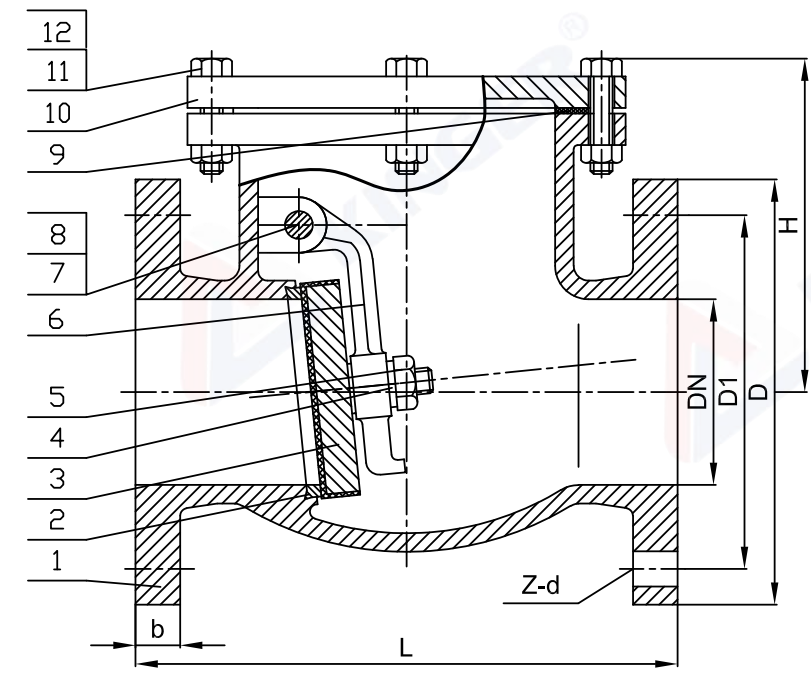
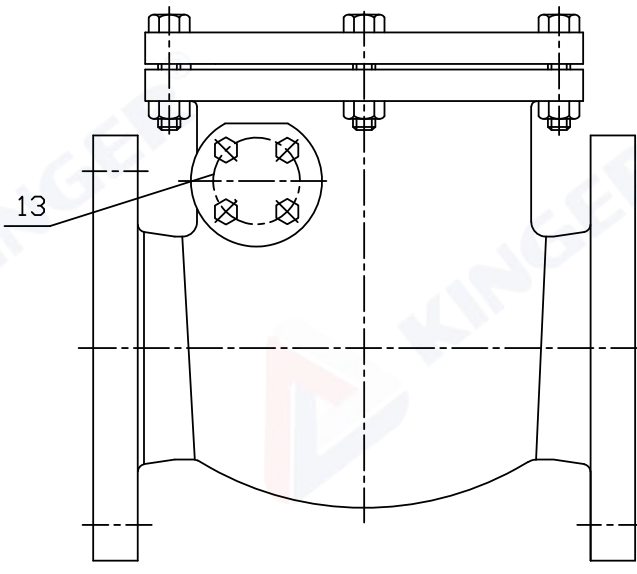


APPLICABLE STANDARD	
Design&Manufacture	<b>AWWA C508</b>
End Connection	ASME B16.1 CL125/ ASME B16.42 CL150
Face-to-Face and End-to-End Dimensions	<b>AWWA C508</b>
Working Temperature	32°F -176°F
Medium	Water

TESTING DETAILS	
DESCRIPTION	TEST PRESSURE
SHELL TEST	500PSI
SEAT TEST	250PSI



Item No.	Dimensions (Inch)							
	Size	D	D1	b	z	d	L	H
JKHCV-F250015	1.5"	5.00	3.88	0.56	4	0.625	6.50	4.72
JKHCV-F25002	2"	6.00	4.75	0.62	4	0.750	8.00	5.39
JKHCV-F250025	2.5"	7.00	5.50	0.69	4	0.750	8.50	5.63
JKHCV-F25003	3"	7.50	6.00	0.75	4	0.750	9.50	6.06
JKHCV-F25004	4"	9.00	7.50	0.94	8	0.750	11.50	6.73
JKHCV-F25005	5"	10.00	8.50	0.94	8	0.875	13.00	8.03
JKHCV-F25006	6"	11.00	9.50	1.00	8	0.875	14.00	8.62
JKHCV-F25008	8"	13.50	11.75	1.12	8	0.875	19.50	10.16
JKHCV-F25010	10"	16.00	14.25	1.19	12	1.000	24.50	11.42
JKHCV-F25012	12"	19.00	17.00	1.25	12	1.000	27.50	12.80
JKHCV-F25014	14"	21.00	18.75	1.38	12	1.125	31.00	14.21
JKHCV-F25016	16"	23.50	21.25	1.44	16	1.125	36.00	15.28
JKHCV-F25018	18"	25.00	22.75	1.56	16	1.250	40.00	17.72
JKHCV-F25020	20"	27.50	25.00	1.69	20	1.250	40.00	20.39
JKHCV-F25024	24"	32.00	29.50	1.88	20	1.375	48.00	24.41
JKHCV-F25030	30"	38.75	36.00	2.12	28	1.375	56.00	30.04
JKHCV-F25036	36"	46.00	42.75	2.38	32	1.625	77.00	37.80

Part No.	Description	Material Specification
1	Body	Ductile Iron ASTM A536
2	Body Seat Ring	Brass ASTM B16
3	Disc	DI ASTM A536+EPDM ASTM D2000
4	Washer	Stainless Steel SS316
5	Nut	Stainless Steel SS316
6	Arm	Ductile Iron ASTM A536
7	Hing Pin	Stainless Steel SS420
8	O-Ring	EPDM ASTM D2000
9	Gasket	EPDM ASTM D2000
10	Bonnet	Ductile Iron ASTM A536
11	Bolt	Stainless Steel SS316
12	Nut	Stainless Steel SS316
13	Gland	Ductile Iron ASTM A536

DESCRIPTION <b>AWWA C508 Flanged Resilient-Seated Swing Check Valve</b>	Proj.	JKHCV-F250-002	
	DWG#	JKHCV-002	REV. 0
	WN	APPR.	DATE
	CINDY	KUHN HU	3-7-2025