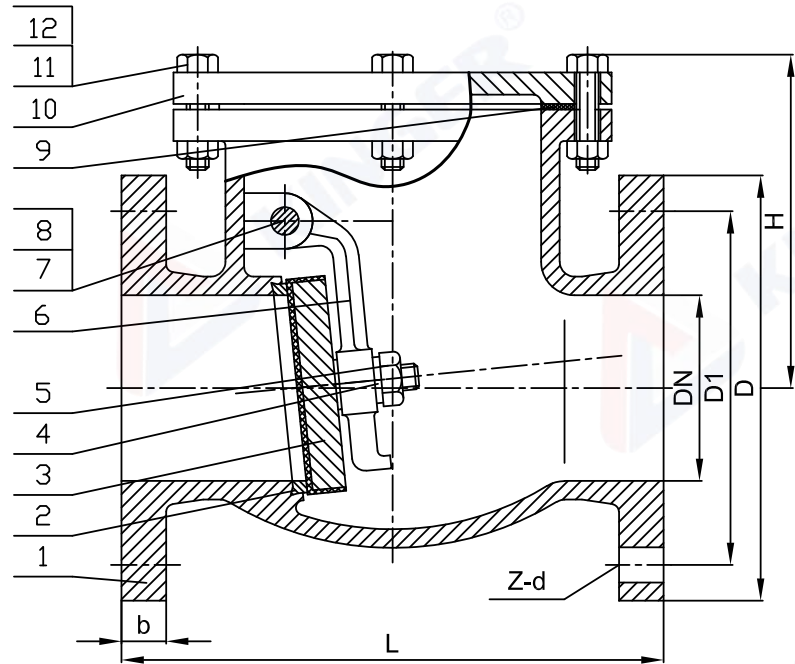
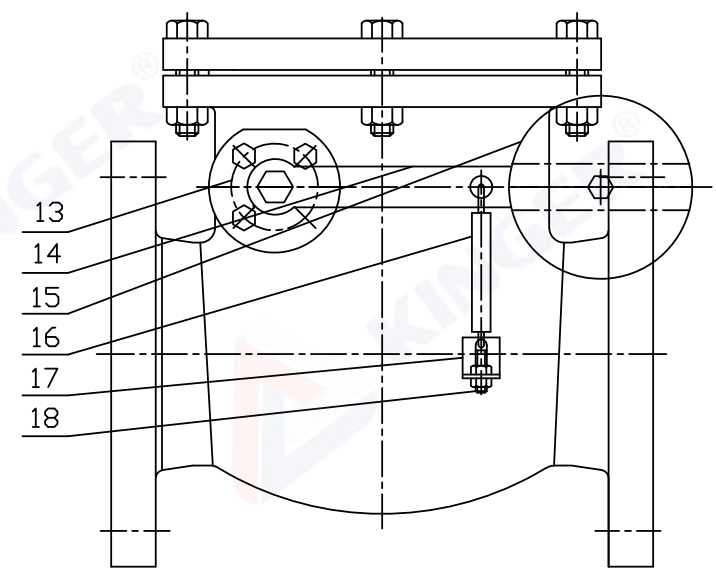


APPLICABLE STANDARD	
Design&Manufacture	AWWA C508
End Connection	ASME B16.1 CL125/ ASME B16.42 CL150
Face-to-Face and End-to-End Dimensions	AWWA C508
Working Temperature	32°F -176°F
Medium	Water

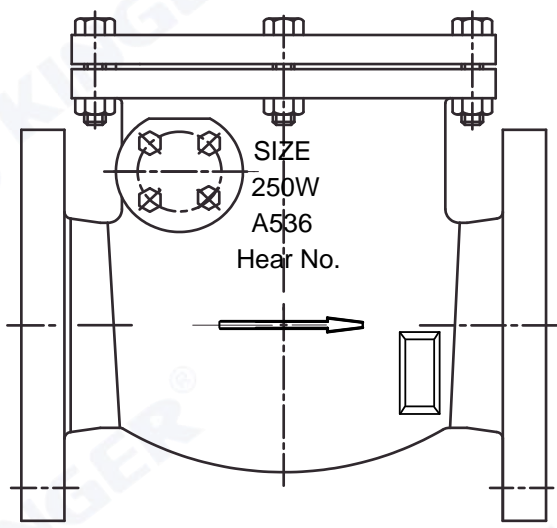
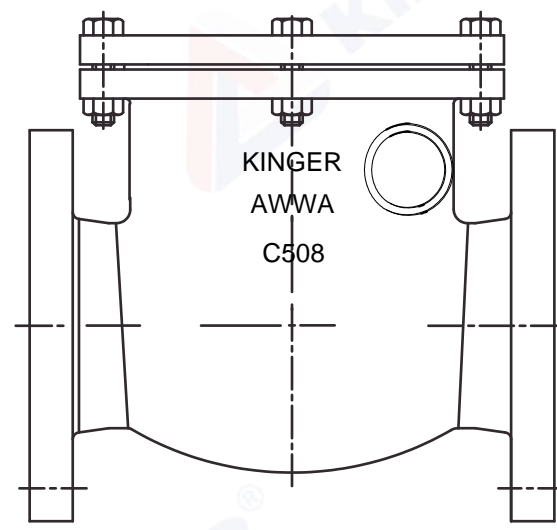
TESTING DETAILS	
DESCRIPTION	TEST PRESSURE
SHELL TEST	500PSI
SEAT TEST	250PSI



two options: without Weight & Lever ; with Weight & Lever

Part No.	Description	Material Specification	
1	Body	Ductile Iron ASTM A536	
2	Body Seat Ring	Brass ASTM B16	
3	Disc	DI ASTM A536+EPDM ASTM D2000	
4	Washer	Stainless Steel SS316	
5	Nut	Stainless Steel SS316	
6	Arm	Ductile Iron ASTM A536	
7	Hing Pin	Stainless Steel SS420	
8	O-Ring	EPDM ASTM D2000	
9	Gasket	EPDM ASTM D2000	
10	Bonnet	Ductile Iron ASTM A536	
11	Bolt	Stainless Steel SS316	
12	Nut	Stainless Steel SS316	Size:1.5-6" N/A Size:8-36" A
13	Gland	Brass ASTM B16 Ductile Iron ASTM A536	Size:1.5-4" Size:5-36"
14	Hinge	Ductile Iron ASTM A536	
15	Hammer	Ductile Iron ASTM A536	
16	Spring	Stainless Steel SS316	
17	Spring Bracket	Carbon Steel A3	
18	Spring Stud	Stainless Steel SS316	

Item No.	Dimensions (Inch)							
	Size	D	D1	b	z	d	L	H
JKHCV-F250015	1.5"	5.00	3.88	0.56	4	0.625	6.50	4.72
JKHCV-F25002	2"	6.00	4.75	0.62	4	0.750	8.00	5.39
JKHCV-F250025	2.5"	7.00	5.50	0.69	4	0.750	8.50	5.63
JKHCV-F25003	3"	7.50	6.00	0.75	4	0.750	9.50	6.06
JKHCV-F25004	4"	9.00	7.50	0.94	8	0.750	11.50	6.73
JKHCV-F25005	5"	10.00	8.50	0.94	8	0.875	13.00	8.03
JKHCV-F25006	6"	11.00	9.50	1.00	8	0.875	14.00	8.62
JKHCV-F25008	8"	13.50	11.75	1.12	8	0.875	19.50	10.16
JKHCV-F25010	10"	16.00	14.25	1.19	12	1.000	24.50	11.42
JKHCV-F25012	12"	19.00	17.00	1.25	12	1.000	27.50	12.80
JKHCV-F25014	14"	21.00	18.75	1.38	12	1.125	31.00	14.21
JKHCV-F25016	16"	23.50	21.25	1.44	16	1.125	36.00	15.28
JKHCV-F25018	18"	25.00	22.75	1.56	16	1.250	40.00	17.72
JKHCV-F25020	20"	27.50	25.00	1.69	20	1.250	40.00	20.39
JKHCV-F25024	24"	32.00	29.50	1.88	20	1.375	48.00	24.41
JKHCV-F25030	30"	38.75	36.00	2.12	28	1.375	56.00	30.04
JKHCV-F25036	36"	46.00	42.75	2.38	32	1.625	77.00	37.80



DESCRIPTION	Proj.	JKHCV-F250-001	
AWWA C508 Flanged Resilient-Seated Swing Check Valve With Weight&Lever&Spring	DWG#	REV.	
	JKHCV-001	0	
	WN	APPR.	DATE
	CINDY	KUHN HU	3-7-2025

CUSTOMER

PAGE NO 1 of 1 For special material requests beyond the standard specifications, please clearly note them on your inquiry or order form.