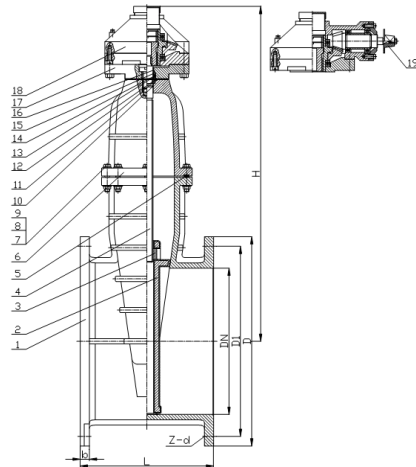


# AWWA C509 Flanged Resilient NRS Gate Valve with Capnut & Gearbox (JHZ45XC-G)



JHZ45XC-G



JHZ45X-S

### MATERIAL SPECIFICATION

PART NO.	Description	Material Specification	Options
1	Body	Ductile Iron ASTM A536	
2	Wedge	Ductile Iron ASTM A536 /EPDM ASTM D2000	
3	Stem Nut	Brass ASTM B16	Stainless Steel CF8
4	Stem	Stainless Steel SS420	Stainless Steel 304/431
5	Gasket	EPDM ASTM D2000	
6	Bonnet	Ductile Iron ASTM A536	
7	Bonnet Bolt	Stainless Steel	
8	Washer	Stainless Steel	
9	Nut	Stainless Steel	
10	O-Ring	EPDM ASTM D2000	
11	Locating Ring	Brass ASTM B16	
12	O-Ring	EPDM ASTM D2000	
13	O-Ring	EPDM ASTM D2000	
14	O-Ring	EPDM ASTM D2000	
15	Seal Ring	Brass ASTM B16	
16	Dust Ring	EPDM ASTM D2000	
17	Gland	Ductile Iron ASTM A536	
18	Wheel Gear Box		

Note:For special material request other than standard specification,please indicate clearly on the inquiry or order list.

Item No.	DN	Dimensions(Inch)					
		D	D1	H	L	b	Z-d
JHZ45XC-G02	2"	5.98	4.74	16.65	7.01	0.63	4-Ø0.75
JHZ45XC-G25	2.5"	7.01	5.49	17.64	7.48	0.69	4-Ø0.75
JHZ45XC-G03	3"	7.52	6.00	18.66	7.99	0.75	4-Ø0.75
JHZ45XC-G04	4"	9.02	7.50	19.96	9.02	0.94	8-Ø0.75
JHZ45XC-G05	5"	10.00	8.50	22.13	10.00	0.94	8-Ø0.87
JHZ45XC-G06	6"	10.98	9.51	23.62	10.51	1.00	8-Ø0.87
JHZ45XC-G08	8"	13.50	11.75	27.05	11.50	1.14	8-Ø0.87
JHZ45XC-G10	10"	15.98	14.25	30.43	12.99	1.20	12-Ø1.00
JHZ45XC-G12	12"	19.02	17.01	33.90	14.02	1.26	12-Ø1.00
JHZ45XC-G14	14"	20.98	18.74	36.73	15.00	1.38	12-Ø1.14
JHZ45XC-G16	16"	23.50	21.24	39.76	15.98	1.46	16-Ø1.14
JHZ45XC-G18	18"	25.00	22.75	42.87	17.01	1.56	16-Ø1.26
JHZ45XC-G20	20"	27.52	25.00	45.98	17.99	1.69	20-Ø1.26
JHZ45XC-G24	24"	32.01	29.51	52.28	20.00	1.89	20-Ø1.38
JHZ45XC-G30	30"	38.74	36.00	60.24	24.02	2.13	28-Ø1.38
JHZ45XC-G36	36"	45.98	42.76	65.94	27.99	2.38	32-Ø1.61
JHZ45XC-G42	42"	52.99	49.51	71.85	35.98	2.63	36-Ø1.61
JHZ45XC-G48	48"	59.49	56.00	96.85	44.02	2.75	44-Ø1.61

- Connection Ends: Flange to ASME B16.1 CL 125
  - Working Pressure: 300PSI 200PSI and 250PSI available upon request
  - Temperature Range: 32 -176
  - Coating: Fusion Bonded Epoxy Coating in accordance with ANSI/AWWA C550
- All JHZ series can be equipped with Gearbox.