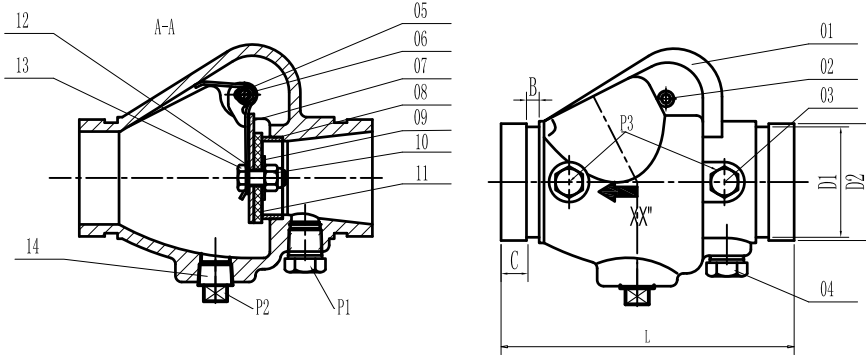
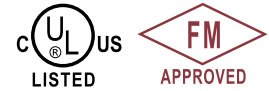


Grooved Resilient Swing Check Valve 350PSI (JKDCV-350G)



MATERIAL SPECIFICATION

PART NO.	Description	Material Specification	Options
1	Body	Ductile Iron ASTM A536	
2	Bolt	1045 ASTM A29 Galvanized	
3	Plug	1045 ASTM A29 Galvanized	
4	Plug	1045 ASTM A29 Galvanized	
5	Spring	Stainless Steel 304 ASTM A276	
6	Hinge Pin	Stainless Steel 304 ASTM A276	Ductile Iron ASTM A536
7	Clapper	Stainless Steel 304 ASTM A276	
8	Seat	ASTM B148 C95400	
9	Clamping Ring	Stainless Steel 304 ASTM A276	
10	Locknut	Stainless Steel 304 ASTM A276	
11	Facing Seal	EPDM ASTM D2000	
12	Gasket	EPDM ASTM D2000	
13	Bolt	Stainless Steel 304 ASTM A276	
14	Plug	1045 ASTM A29 Galvanized	

Note: For special material request other than standard specification, please indicate clearly on the inquiry or order list.

- Connecting Ends: Groove to AWWA C606
- Working Pressure: 350PSI
- Temperature Range: 32 -176
- Coating: Fusion Bonded Epoxy Coating in accordance with ANSI/AWWA C550 or painting upon request

Item No.	Size	Dimensions(Inch)														
		L	D1	D2	B	C	P1			P2			P3			
JKDCV-350G02	2"	6.654	2.250	2.375	0.312	0.625	1/2-14-NPT	1/2-14-NPT	3/4-14-NPT	1-11.5-NPT	1 1/4-11.5-NPT	1 1/2-11.5-NPT	2-11.5-NPT	1/4-18-NPT	3/8-18-NPT	1/2-14-NPT
JKDCV-350G25	2.5"	7.125	2.720 2.845	2.875 2.996	0.312	0.625	1/2-14-NPT	1/2-14-NPT	3/4-14-NPT	1-11.5-NPT	1 1/4-11.5-NPT	1 1/2-11.5-NPT	2-11.5-NPT	1/4-18-NPT	3/8-18-NPT	1/2-14-NPT
JKDCV-350G03	3"	7.795	3.344	3.500	0.312	0.625	1/2-14-NPT	1/2-14-NPT	3/4-14-NPT	1-11.5-NPT	1 1/4-11.5-NPT	1 1/2-11.5-NPT	2-11.5-NPT	1/4-18-NPT	3/8-18-NPT	1/2-14-NPT
JKDCV-350G04	4"	8.425	4.334	4.500	0.375	0.625	1/2-14-NPT	1/2-14-NPT	3/4-14-NPT	1-11.5-NPT	1 1/4-11.5-NPT	1 1/2-11.5-NPT	2-11.5-NPT	1/4-18-NPT	3/8-18-NPT	1/2-14-NPT
JKDCV-350G05	5"	9.764	5.334 5.395	5.500 5.563	0.375	0.625	1/2-14-NPT	1/2-14-NPT	3/4-14-NPT	1-11.5-NPT	1 1/4-11.5-NPT	1 1/2-11.5-NPT	2-11.5-NPT	1/4-18-NPT	3/8-18-NPT	1/2-14-NPT
JKDCV-350G06	6"	10.630	6.330 6.455	6.500 6.625	0.375	0.625	1/2-14-NPT	1/2-14-NPT	3/4-14-NPT	1-11.5-NPT	1 1/4-11.5-NPT	1 1/2-11.5-NPT	2-11.5-NPT	1/4-18-NPT	3/8-18-NPT	1/2-14-NPT
JKDCV-350G08	8"	12.795	8.331 8.441	8.516 8.625	0.438	0.750	1/2-14-NPT	1/2-14-NPT	3/4-14-NPT	1-11.5-NPT	1 1/4-11.5-NPT	1 1/2-11.5-NPT	2-11.5-NPT	1/4-18-NPT	3/8-18-NPT	1/2-14-NPT
JKDCV-350G10	10"	17.992	10.562	10.750	0.500	0.750	1/2-14-NPT	1/2-14-NPT	3/4-14-NPT	1-11.5-NPT	1 1/4-11.5-NPT	1 1/2-11.5-NPT	2-11.5-NPT	1/4-18-NPT	3/8-18-NPT	1/2-14-NPT
JKDCV-350G12	12"	21.063	12.531	12.750	0.500	0.750	1/2-14-NPT	1/2-14-NPT	3/4-14-NPT	1-11.5-NPT	1 1/4-11.5-NPT	1 1/2-11.5-NPT	2-11.5-NPT	1/4-18-NPT	3/8-18-NPT	1/2-14-NPT