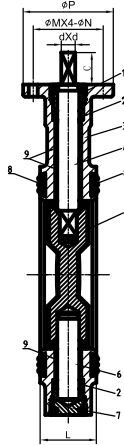
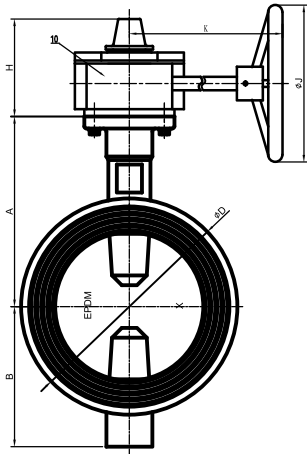
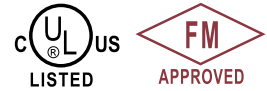


# Wafer Butterfly Valve with Tamper Switch 300PSI (JKDWD-371X)

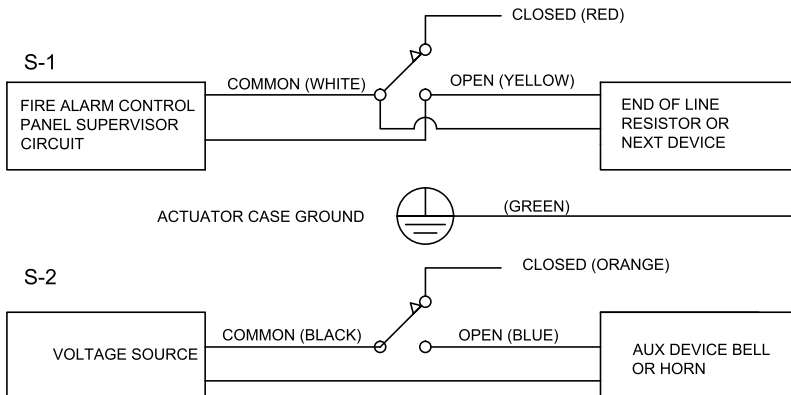


### MATERIAL SPECIFICATION

PART NO.	Description	Material Specification	Remark
1	Upper Shaft Sealing Nut	WCB	ASTM A216
2	Shaft Seal	EPDM	ASTM D2000
3	Body	DI	ASTM A536
4	Upper Shaft	SS416	ASTM A582
5	Disc	DI+EPDM	
6	Lower Shaft	SS416	ASTM A582
7	Lower Shaft Sealing Nut	WCB	ASTM A216
8	End Face Seal	EPDM	ASTM D2000
9	Stem Bushing	8":C95400	ASTM B148
		2.5"-6":PTFE	ASTM D4894
10	Gear Box		

Note: For special material request other than standard specification, please indicate clearly on the inquiry or order list

### SWITCH WIRING DIAGRAM



- Design Standard: MSS SP-67
- Connection Ends: Flange to ASME B16.1 CL125
- Top Flange Standard: ISO 5211  
Stem drive by keys, parallel or diagonal square or flat head
- Working Pressure: 300PSI
- Temperature Range: 32 -176
- Coating: Fusion Bonded Epoxy Coating in accordance with ANSI/AWWA C550 or painting upon request
- 2.5"-12" : UL/FM Approved
- 2" : UL Approved
- 2" : FM is Pending

Item No.	DN	Dimensions(Inch)												
		A	B	C	D	H	K	J	P	M	N	d	L	
JKDWD371X02	2"	4.33	3.35	1.26	3.94	4.37	6.02	5.00	5.98	3.54	2.76	0.35	0.39	1.65
JKDWD371X25	2.5"	4.92	3.74	1.26	4.41	4.37	6.02	5.00	5.98	3.54	2.76	0.35	0.39	1.74
JKDWD371X03	3"	5.51	3.94	1.26	4.72	4.37	6.02	5.00	5.98	3.54	2.76	0.35	0.43	1.78
JKDWD371X04	4"	6.30	3.94	1.26	6.34	4.37	6.02	5.00	5.98	3.54	2.76	0.35	0.55	2.05
JKDWD371X05	5"	6.69	4.92	1.26	7.17	4.37	6.02	5.00	5.98	3.54	2.76	0.35	0.55	2.14
JKDWD371X06	6"	7.48	5.51	1.26	8.50	4.37	6.02	5.00	7.87	3.54	2.76	0.35	0.63	2.20
JKDWD371X08	8"	9.06	6.89	1.26	10.24	4.96	8.27	7.28	11.81	4.92	4.02	0.47	0.75	2.38
JKDWD371X10	10"	10.24	7.87	1.77	12.60	4.96	8.27	7.28	11.81	4.92	4.02	0.47	0.87	2.62
JKDWD371X12	12"	11.81	9.45	1.77	14.76	6.34	9.80	7.95	13.78	5.91	4.92	0.55	0.94	3.03