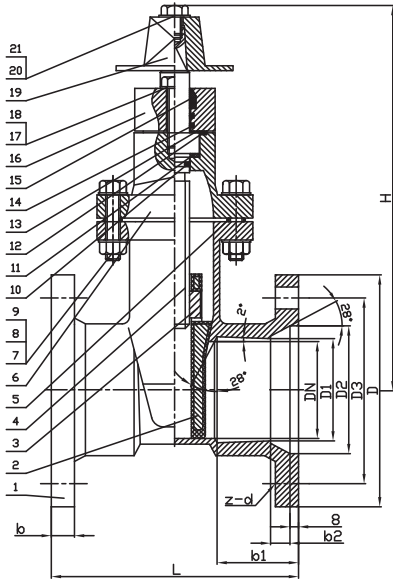




AWWA C509 Mechanical Joint Resilient NRS Gate Valve(JHZ35XQ)



MATERIAL SPECIFICATION

PART NO.	Description	Material Specification	Options
1	Body	Ductile Iron ASTM A536,65-45-12	
2	Wedge, Rubber Encapsulated	Ductile Iron ASTM A536,65-45-12 + EPDM ASTM D2000	
3	Stem Nut	Brass ASTM B16	
4	Stem	Stainless Steel SS304	Stainless Steel SS316/431, Bronze ASTM B584
5	Bonnet Gasket	EPDM ASTM D2000	NBR ASTM D2000
6	Bonnet	Ductile Iron ASTM A536,65-45-12	
7	Bonnet Bolts	Stainless Steel SS304	Stainless Steel SS316
8	Bonnet Nuts	Stainless Steel SS304	Stainless Steel SS316
9	Bonnet Washers	Stainless Steel SS304	Stainless Steel SS316
10	Stem O-Ring	EPDM ASTM D2000	NBR ASTM D2000
11	Minipad	TFL	
12	Minipad	TFL	
13	Minipad	TFL	
14	Stem O-Ring	EPDM ASTM D2000	NBR ASTM D2000
15	Dust Ring	EPDM ASTM D2000	NBR ASTM D2000
16	Stuffing Box	Ductile Iron ASTM A536,65-45-12	
17	Stuffing Box Washers	Stainless Steel SS304	Stainless Steel SS316
18	Stuffing Box Bolts	Stainless Steel SS304	Stainless Steel SS316
19	Cap	Ductile Iron ASTM A536,65-45-12	
19A	Handwheel(Optional)	Ductile Iron ASTM A536,65-45-12	
20	Wrench Nut Washers	Stainless Steel SS304	Stainless Steel SS316
21	Wrench Nut Cap Screw	Stainless Steel SS304	Stainless Steel SS316

Note:For special material request other than standard specification,please indicate clearly on the inquiry or order list.

SIZE	Dimensions(Inch)										
	D1	D2	D3	D	b	b1	b2	z-d	L	H	
2"	2.5	3.52	4.80	6.126	0.882	2.5	0.630	2-Φ0.748	8.25	10.039	10.394
2.5"	3.3	4.22	5.40	6.752	0.882	2.5	0.630	2-Φ0.748	8.25	11.024	11.417
3"	4.1	4.94	6.19	7.689	0.941	2.5	0.630	4-Φ0.748	8.50	12.205	12.520
4"	4.9	6.02	7.50	9.118	1.000	2.5	0.748	4-Φ0.906	9.50	13.386	13.898
6"	7.0	8.12	9.50	11.118	1.059	2.5	0.748	6-Φ0.906	10.00	17.126	17.480
8"	9.1	10.27	11.75	13.370	1.118	2.5	0.748	6-Φ0.906	10.50	20.669	21.063
10"	11.2	12.34	14.00	15.689	1.189	2.5	0.748	8-Φ0.906	12.00	23.819	24.252
12"	13.3	14.44	16.25	17.941	1.252	2.5	0.748	8-Φ0.906	13.00	26.969	27.362
14"	15.4	16.54	18.75	20.311	1.311	3.5	0.748	10-Φ0.906	14.00	30.315	30.748
16"	17.5	18.64	21.00	22.559	1.382	3.5	0.748	12-Φ0.906	18.00	33.268	33.701
18"	19.6	20.74	23.25	24.831	1.441	3.5	0.748	12-Φ0.906	19.29	36.417	36.732
20"	21.7	22.84	25.50	27.079	1.500	3.5	0.748	14-Φ0.906	20.00	39.370	39.764
24"	25.9	27.04	30.00	31.579	1.618	3.5	0.748	16-Φ0.906	22.00	45.472	45.945

- Connection Ends: Mechanical Joint to ANSI/AWWA C153/A21.53
- Working Pressure: 250PSI
- Temperature Range: 0°C- 80°C
- Coating: Fusion Bonded Epoxy Coating Complies with ANSI/AWWA C550