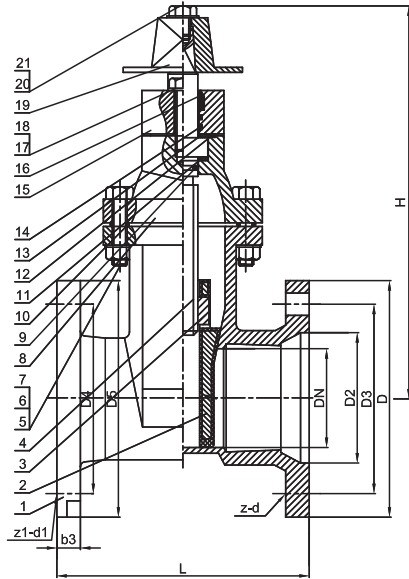




AWWA C509 Flanged x Mechanical Joint Resilient NRS Gate Valve (JH004X)



MATERIAL SPECIFICATION

PART NO.	Description	Material Specification	Options
1	Body	Ductile Iron ASTM A536,65-45-12	
2	Wedge, Rubber Encapsulated	Ductile Iron ASTM A536,65-45-12 + EPDM ASTM D2000	
3	Stem Nut	Brass ASTM B16	
4	Stem	Stainless Steel SS304	Stainless Steel SS316/431, Bronze ASTM B584
5	Bonnet Bolts	Stainless Steel SS304	Stainless Steel SS316
6	Bonnet Nuts	Stainless Steel SS304	Stainless Steel SS316
7	Bonnet Washers	Stainless Steel SS304	Stainless Steel SS316
8	Bonnet	Ductile Iron ASTM A536,65-45-12	
9	Stem O-Ring	EPDM ASTM D2000	NBR ASTM D2000
10	Bonnet O-Ring	EPDM ASTM D2000	NBR ASTM D2000
11	Minipad	TFL	
12	Minipad	TFL	
13	Minipad	TFL	
14	Stem O-Ring	EPDM ASTM D2000	NBR ASTM D2000
15	Stuffing Box	Ductile Iron ASTM A536,65-45-12	
16	Dust Ring	EPDM ASTM D2000	NBR ASTM D2000
17	Stuffing Box Washers	Stainless Steel SS304	Stainless Steel SS316
18	Stuffing Box Bolts	Stainless Steel SS304	Stainless Steel SS316
19	Cap	Ductile Iron ASTM A536,65-45-12	
19A	Handwheel(Optional)	Ductile Iron ASTM A536,65-45-12	
20	Wrench Nut	Stainless Steel SS304	Stainless Steel SS316
21	Wrench Washers	Stainless Steel SS304	Stainless Steel SS316

Note: For special material request other than standard specification, please indicate clearly on the inquiry or order list.

SIZE	Dimensions(Inch)							H	
	D	D2	D3	b3	z-d	z1-d1	L	Hand Wheel	Cap Nut
2"	6.13	3.52	4.80	0.63	2-Φ0.75	4-Φ0.75	7.63	10.04	10.39
2.5"	6.75	4.22	5.40	0.69	2-Φ0.75	4-Φ0.75	7.87	11.02	11.42
3"	7.69	4.94	6.19	0.75	4-Φ0.75	4-Φ0.75	8.25	12.20	12.52
4"	9.12	6.02	7.50	0.94	4-Φ0.91	8-Φ0.75	9.26	13.39	13.90
6"	11.12	8.12	9.50	1.00	6-Φ0.91	8-Φ0.87	10.26	17.13	17.48
8"	13.37	10.27	11.75	1.14	6-Φ0.91	8-Φ0.87	11.00	20.67	21.06
10"	15.69	12.34	14.00	1.20	8-Φ0.91	12-Φ0.98	12.50	23.82	24.25
12"	17.94	14.44	16.25	1.26	8-Φ0.91	12-Φ0.98	13.51	26.97	27.36
14"	20.31	16.54	18.75	1.38	10-Φ0.91	12-Φ1.14	14.50	30.31	30.75
16"	22.56	18.64	21.00	1.46	12-Φ0.91	16-Φ1.14	16.99	33.27	33.70
18"	24.83	20.74	23.25	1.56	12-Φ0.91	16-Φ1.26	18.15	36.42	36.73
20"	27.08	22.84	25.50	1.69	14-Φ0.91	20-Φ1.26	19.00	39.37	39.76
24"	31.58	27.04	30.00	1.89	16-Φ0.91	20-Φ1.38	21.00	45.47	45.94

- Connection Ends: Flange to ASME B16.1 CL 125
Mechanical Joint to ANSI/AWWA C153/A21.53
- Working Pressure: 250PSI
- Temperature Range: 0°C - 80°C
- Coating: Fusion Bonded Epoxy Coating in accordance with ANSI/AWWA C550