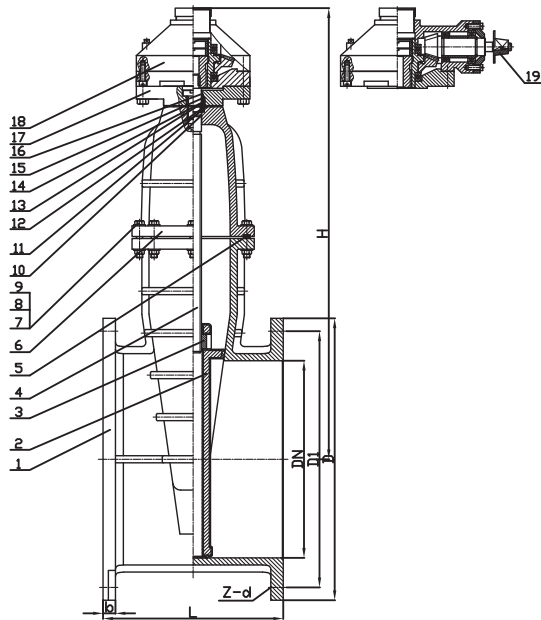


AWWA C509 Flanged Resilient NRS Gate Valve with Capnut & Gearbox (JHZ45XC-G)

NSF



MATERIAL SPECIFICATION

PART NO.	Description	Material Specification	Options
1	Body	Ductile Iron ASTM A536,65-45-12	
2	Wedge	Ductile Iron ASTM A536,65-45-12 + EPDM ASTM D2000	
3	Stem Nut	Brass ASTM B16	
4	Stem	Stainless steel SS420	Stainless Steel SS316/431, Bronze ASTM B584
5	Gasket	EPDM ASTM D2000	NBR ASTM D2000
6	Bonnet	Ductile Iron ASTM A536,65-45-12	
7	Bonnet Bolt	Stainless steel A3	
8	Nut	Stainless steel A3	
9	Washer	Stainless steel A3	
10	O-Ring	EPDM ASTM D2000	NBR ASTM D2000
11	Minipad	TFL	
12	Locating Ring	Brass ASTM B16	
13	Seal Ring	Brass ASTM B16	
14	O-Ring	EPDM ASTM D2000	NBR ASTM D2000
15	O-Ring	EPDM ASTM D2000	NBR ASTM D2000
16	Dust Ring	EPDM ASTM D2000	NBR ASTM D2000
17	Gland	Ductile Iron ASTM A536,65-45-12	
18	Wheel Gear Box		
19	Cap	Ductile Iron ASTM A536,65-45-12	

Note: For special material request other than standard specification, please indicate clearly on the inquiry or order list.

SIZE	Dimensions(Inch)					
	D	D1	H	L	b	z-d
2"	5.98	4.74	16.65	7.01	0.63	4--0.75
2.5"	7.01	5.49	17.64	7.48	0.69	4--0.75
3"	7.52	6.00	18.66	7.99	0.75	4--0.75
4"	9.02	7.50	19.96	9.02	0.94	8--0.75
5"	10.00	8.50	22.13	10.00	0.94	8--0.87
6"	10.98	9.51	23.62	10.51	1.00	8--0.87
8"	13.50	11.75	27.05	11.50	1.14	8--0.87
10"	15.98	14.25	30.43	12.99	1.20	12--0.98
12"	19.02	17.01	33.90	14.02	1.26	12--0.98
14"	20.98	18.74	36.73	15.00	1.38	12--Φ1.14
16"	23.50	21.24	39.76	15.98	1.46	16--Φ1.14
18"	25.00	22.75	42.87	17.01	1.96	16--Φ1.26
20"	27.52	25.00	45.98	17.99	1.69	20--Φ1.26
24"	32.01	29.51	52.28	20.00	1.89	20--Φ1.38
30"	38.74	36.00	60.24	24.02	2.13	28--Φ1.38
36"	45.98	42.76	65.94	27.99	2.38	32--Φ1.62
48"	59.49	56.00	82.68	44.02	2.75	44--Φ1.62

• Connection Ends: Flange to ASME B16.1 CL 125

• Working Pressure: 250PSI

• Temperature Range: 0°C- 80 °C

• Coating: Fusion Bonded Epoxy Coating in accordance with ANSI/AWWA C550

• All JHZ series can be equipped with Gearbox.

09

