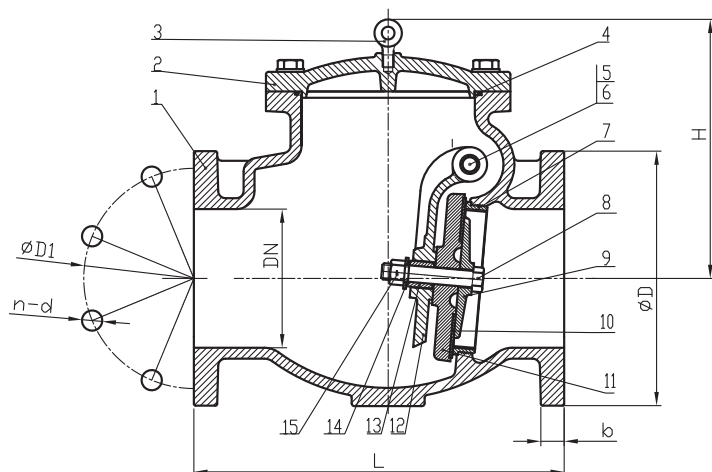




Flanged Resilient Swing Check Valve (JMH44X2)



MATERIAL SPECIFICATION

PART NO.	Description	Material Specification	Options
1	Valve Body	Ductile Iron ASTM A536,65-45-12	
2	Bonnet	Ductile Iron ASTM A536,65-45-12	
3	Eye Bolt	Carbon Steel Zinc Plated	
4	O-Ring	NBR ASTM D2000	EPDM ASTM D2000
5	Hinge Pin	Stainless steel 304	
6	Hinge Bushing	Brass ASTM B36 C36000/Hpb63-3	
7	Seat Ring	Bronze ASTM B62 C83600/ZQSn5-5-5(Pressed Fit)	Stainless steel 304/316 , Pressed Fit or Threaded
8	Disc Seat Bolt	Stainless steel 304	
9	Retainer Washer	Bronze ASTM B62 C83600/ZQSn5-5-5	
10	Disc Sealing Ring	EPDM ASTM D2000	Stainless steel 304/316 , Bronze ASTM B62
11	Disc	Ductile Iron ASTM A536,65-45-12	
12	Clapper Arm	Ductile Iron ASTM A536,65-45-12	
13	Stud Bushing	Brass ASTM B16 C36000/Hpb63-3	
14	O-Ring	NBR ASTM D2000	EPDM ASTM D2000
15	Nut	Stainless steel 304	Stainless steel 316

Note: For special material request other than standard specification, please indicate clearly on the inquiry or order list.

SIZE	Dimensions(Inch)					
	L	D	D1	b	N-ΦL	H
2"	7.99	5.98	4.74	0.63	4-0.75	5.24
2.5"	10.00	7.01	5.49	0.69	4-0.75	5.91
3"	10.94	7.52	6.00	0.75	4-0.75	9.57
4"	12.99	9.02	7.50	0.94	8-0.75	11.18
6"	15.98	10.98	9.51	1.00	8-0.88	11.42
8"	19.49	13.50	11.75	1.12	8-0.88	12.99
10"	24.49	15.98	14.25	1.20	12-1	13.78
12"	25.98	19.02	17.01	1.26	12-1	14.80

- Connection Ends: Flange to ASME B16.1 CL 125
- Working Pressure: 300PSI
200PSI and 250PSI available upon request
- Temperature Range: 0°C- 80°C
- Coating: Fusion Bonded Epoxy Coating in accordance with ANSI/AWWA C550