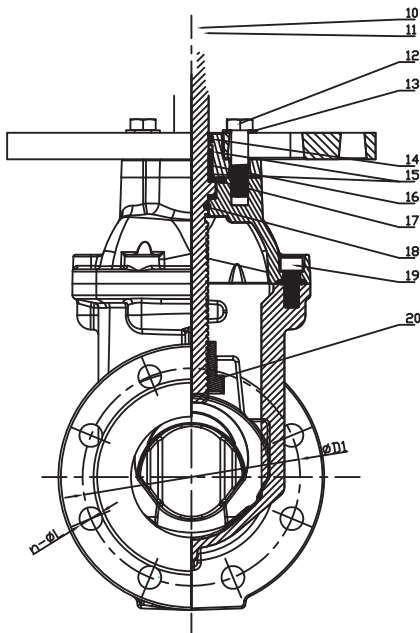
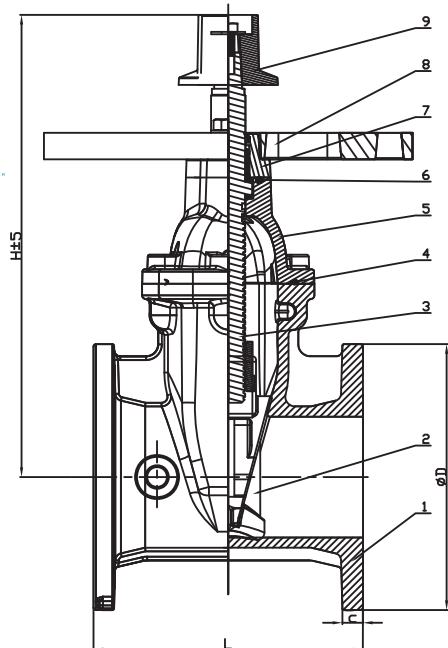




## AWWA C515 Flanged Resilient NRS Gate Valve with Post Flange (JMZ45XC-2)



### MATERIAL SPECIFICATION

PART NO.	Description	Material Specification	Options
1	Valve Body	Ductile Iron ASTM A536,65-45-12	
2	Resilient Wedge Disc	Ductile Iron ASTM A536,65-45-12+EPDM	
3	Stem	Stainless steel 316	Stainless steel AISI 304/431, Bronze ASTM B584
4	Bonnet Gasket	EPDM ASTM D2000	NBR ASTM D2000
5	Bonnet	Ductile Iron ASTM A536 , 65-45-12	
6	O-Ring	NBR ASTM D2000	EPDM ASTM D2000
7	Gland	Ductile Iron ASTM A536 , 65-45-12	
8	Post Flange	Ductile Iron ASTM A536 , 65-45-12	
9	Square Operating Nut	Ductile Iron ASTM A536 , 65-45-12	
10	Bolt	Stainless steel 316	Stainless steel 304
11	Flat Washer	Stainless steel 316	Stainless steel 304
12	Nut	Stainless steel 316	Stainless steel 304
13	Flat Washer	Stainless steel 316	Stainless steel 304
14	Ring Wiper	EPDM ASTM D2000	NBR ASTM D2000
15	O-Ring	NBR ASTM D2000	EPDM ASTM D2000
16	Axis Guide	Brass ASTM B-283 C37700	
17	Washer	Brass ASTM B-283 C37700	
18	O-Ring	NBR ASTM D2000	EPDM ASTM D2000
19	Nut	Stainless steel 316	Stainless steel 304
20	Wedge Nut	Brass ASTM B-283 C37700	Bronze ASTM B-584 Alloy C89833

Note: For special material request other than standard specification, please indicate clearly on the inquiry or order list.

SIZE	Dimensions(Inch)					
	L	H	D	D1	C	n-ΦL
4"	9.0	15.55	9.02	7.50	0.75	8-Φ0.75
5"	10.0	17.01	10.00	8.50	0.75	8-Φ0.88
6"	10.5	18.70	10.98	9.50	0.75	8-Φ0.88
8"	11.5	23.03	13.50	11.75	0.87	8-Φ0.88
10"	13.0	25.83	15.98	14.25	0.94	12-Φ1
12"	14.0	29.57	19.02	17.00	1.00	12-Φ1

· Connection Ends: Flange to ASME B16.1 CL 125

· Working Pressure: 300PSI

200PSI and 250PSI available upon request

· Temperature Range: 0°-80 °C

· Coating: Fusion Bonded Epoxy Coating in accordance with ANSI/AWWA C550