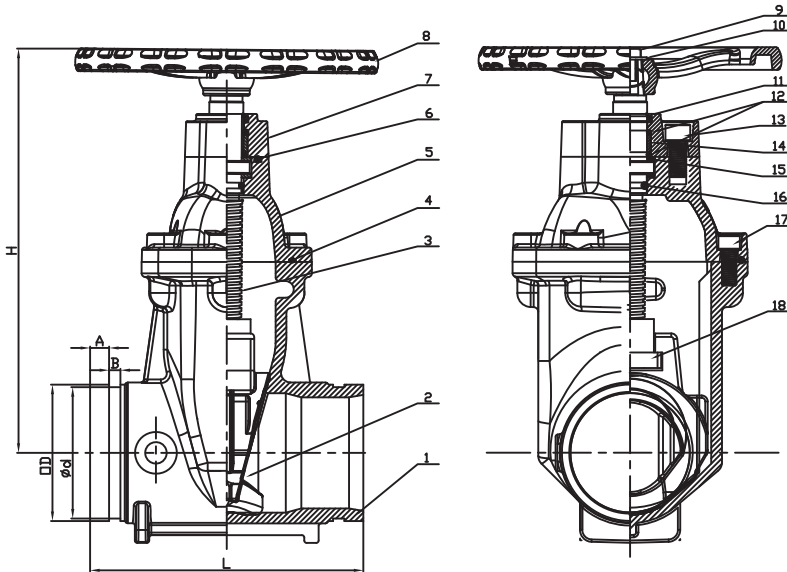




AWWA C515 Grooved Resilient NRS Gate Valve (JMZ85X)



MATERIAL SPECIFICATION

Part No.	Description	Material Specification	Options
1	Valve Body	ASTM A536, 65-45-12	
2	Resilient Wedge Disc	ASTM A536, 65-45-12+EPDM	
3	Stem	AISI 431	AISI 304, AISI 316, AISI 420, Al-bronze
4	Bonnet Gasket	EPDM	NBR
5	Bonnet	ASTM A536, 65-45-12	
6	O-Ring	NBR	EPDM
7	Gland	ASTM A536, 65-45-12	
8	Handwheel	ASTM A536, 65-45-12	Pressed Steel
9	Bolt	Carbon Steel Zinc Plated	AISI 304, AISI 316
10	Flat Washer	Carbon Steel Zinc Plated	AISI 304, AISI 316
11	Ring Wiper	EPDM	NBR
12	O-Ring	NBR	EPDM
13	Nut	Carbon Steel Zinc Plated	AISI 304, AISI 316
14	Axis Guide	Brass HPb59-1	
15	Washer	Brass HPb59-1	
16	O-Ring	NBR	EPDM
17	Nut	Carbon Steel Zinc Plated	AISI 304, AISI 316
18	Wedge Nut	Brass HPb59-1	Bronze ZQSn5-5-5

- Connection Ends: Groove to AWWA C606
- Working Pressure: 300PSI
200PSI and 250PSI available upon request
- Temperature Range: 0°C- 80°C
- Coating: Fusion Bonded Epoxy Coating in accordance with ANSI/AWWA C550 or painting upon request
- Size 5" only NSF/ANSI 61&372 listed

Note: For special material request other than standard specification, please indicate clearly on the inquiry or order list.

DN		Dimensions(Inch/mm)											
		L		H		OD		d		A		B	
Inch	mm	Inch	mm	Inch	mm	Inch	mm	Inch	mm	Inch	mm	Inch	mm
2"	50	7.0	178	10.00	254	2.37	60.3	2.25	57.15	0.63	15.88	0.31	7.92
2.5"	65	7.5	190	10.83	275	2.87	73	2.72	69.09	0.63	15.88	0.31	7.92
3"	80	8.0	203	11.85	301	3.50	88.9	3.34	84.94	0.63	15.88	0.31	7.92
4"	100	9.0	229	13.98	355	4.50	114.3	4.33	110.08	0.63	15.88	0.37	9.52
5"	125	10.0	254	15.47	393	5.56	141.3	5.39	137.03	0.63	15.88	0.37	9.52
6"	150	10.5	267	17.64	448	6.63	168.3	6.46	163.96	0.63	15.88	0.37	9.52
8"	200	11.5	292	21.57	548	8.63	219.1	8.44	214.4	0.75	19.05	0.44	11.13
10"	250	13.0	330	24.65	626	10.75	273	10.56	268.28	0.75	19.05	0.50	12.7
12"	300	14.0	356	28.43	722	12.75	323.9	12.53	318.29	0.75	19.05	0.50	12.7