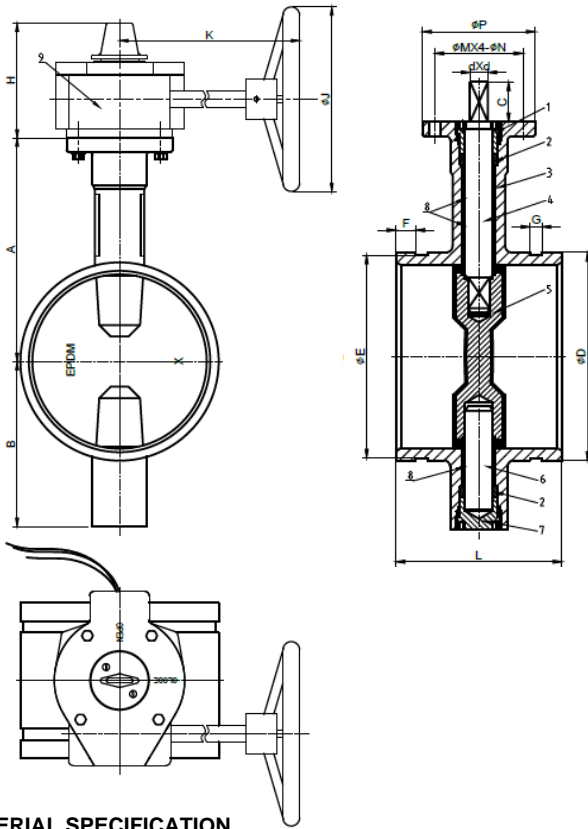




GROOVED BUTTERFLY VALVE WITH TAMPER SWITCH(JKDGD-381X)



MATERIAL SPECIFICATION

NO	Name	Material	Standard
1	Upper Shaft Sealing Nut	WCB	ASTM A216
2	Shaft Seal	EPDM	ASTM D2000
3	Body	DI	ASTM A536
4	Upper Shaft	SS416	ASTM A582
5	Disc	DL+EPDM	
6	Lower Shaft	SS416	ASTM A582
7	Lower Shaft Sealing Nut	WCB	ASTM A216
8	Stem Bushing	PTFE	ASTM D4894
9	Gear Box		

- Design Standard: API609.
- Connection Ends: Groove tandar to ANSI/AWWA C606
- Top Flange Standard: ISO 5211.
- Stem drive by keys, parallel or diagonal square or flat head.
- Working Pressure: 300PSI
200PSI and 250PSI available upon request.
- Temperature Range: 0°-80°C
- Coating: Fusion Bonded Epoxy Coating in accordance with ANSI/AWWA C550 or painting upon request.

Note: For special material request other than standard specification, please indicate clearly on the inquiry or order list

SIZE	A	B	C	D	E	F	G	H	K	J	P	M	N	D	L	
2.5"	4.92	3.74	1.26	2.87	2.72	0.63	0.31	4.37	8.58	6.02	5.98	3.54	2.76	0.35	0.39	3.8
				3	2.85											
3"	5.51	3.94	1.26	3.5	3.34	0.63	0.31	4.37	8.58	6.02	5.98	3.54	2.76	0.35	0.43	3.82
4"	6.3	3.94	1.26	4.5	4.33	0.63	0.31	4.37	8.58	6.02	5.98	3.54	2.76	0.35	0.55	4.53
5"	6.69	4.92	1.26	5.5	5.33	0.63	0.37	4.37	8.58	6.02	5.98	3.54	2.76	0.35	0.55	5.21
				5.56	5.39											
6"	7.48	5.51	1.26	6.5	6.33	0.63	0.37	4.37	8.58	6.02	7.87	3.54	2.76	0.35	0.63	5.21
				6.63	6.46											
8"	9.06	6.89	1.26	8.52	8.33	0.75	0.44	4.96	9.13	8.27	11.42	4.92	4.02	0.47	0.75	5.8
				8.63	8.45											
10"	10.24	7.87	1.77	10.53	10.56	0.75	0.5	4.96	9.13	8.27	11.42	4.92	4.02	0.47	0.87	6.26
				10.75	12.32											
12"	11.81	9.45	1.77	12.54	12.32	0.75	0.5	6.34	9.92	9.92	13.78	5.91	4.92	0.55	0.94	6.5
				12.76	12.53											

