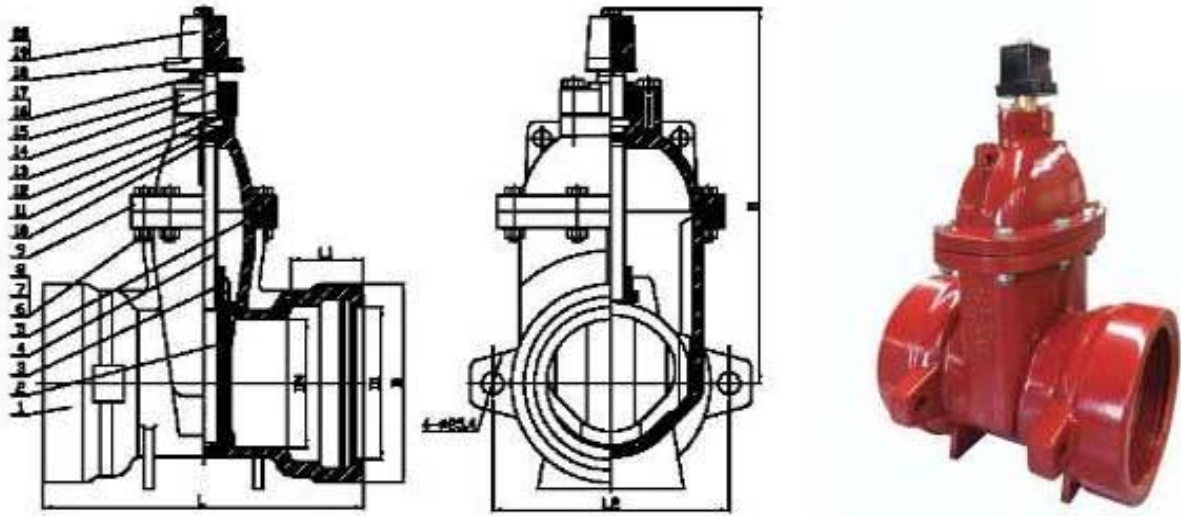


# AWWA C509 Push On Joint Resilient NRS Gate Valve (JHZ004)



## MATERIAL SPECIFICATION

PART NO.	Description	Material	Options
1	Body	Ductile Iron ASTM A536 65-45-12	
2	Wedge	Ductile Iron ASTM A536 65-45-12 + EPDM ASTM D2000	
3	Stem Nut	Brass ASTM B16	
4	Stem	Stainless Steel SS420	Stainless Steel SS316/31 Bronze ASTM B584
5	Gasket	EPDM ASTM D2000	NBR ASTM D2000
6	Bonnet Bolt	Stainless Steel SS304	
7	Nut	Stainless Steel SS304	
8	Washer	Stainless Steel SS304	
9	Bonnet	Ductile Iron ASTM A536 65-45-12	
10	O-Ring	EPDM ASTM D2000	NBR ASTM D2000
11	Minipad	TFL	
12	Minipad	TFL	
13	O-Ring	EPDM ASTM D2000	NBR ASTM D2000
14	Dust Ring	EPDM ASTM D2000	NBR ASTM D2000
15	Gland	Ductile Iron ASTM A536 65-45-12	
16	Bolt	Stainless Steel SS304	
17	Washer	Stainless Steel SS304	
18	Cap	Ductile Iron ASTM A536 65-45-12	
19	Nut	Stainless Steel SS304	
20	Washer	Stainless Steel SS304	

Note: For special material request other than standard specification, please indicate clearly on the inquiry or order list.

Item No.	DN	Dimensions (Inch)					
		D	D1	L	L1	L2	H
JHZ00404	4"	6.93	4.91	13.27	3.15	8.18	13.95
JHZ00406	6"	8.13	7.01	14.76	3.38	10.87	17.44
JHZ00408	8"	11.47	9.17	17.17	3.69	12.81	20.67
JHZ00410	10"	13.62	11.32	19.28	3.75	15.94	24.02
JHZ00412	12"	15.04	13.02	20.87	3.75	18.43	27.13

- Connection Ends: Push On Joint to ANSI/AWWA C153/A21.53
- Working Pressure: 300 PSI, 200 PSI and 250 PSI available upon request
- Temperature Range: 0°C-80°C
- Coating: Fusion Bonded Epoxy Coating in accordance with ANSI/AWWA C550