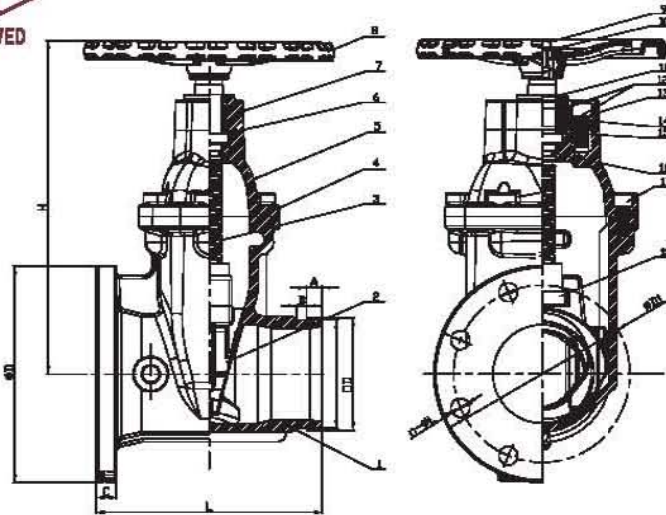




AWWA C515 Flanged x Grooved Resilient NRS Gate Valve (JMZ55X)



MATERIAL SPECIFICATION

PART NO.	Description	Material Specification	Options
1	Valve Body	Ductile Iron ASTM A536 , 65-45-12	
2	Resilient Wedge Disc	Ductile Iron ASTM A536,65-45-12+EPDM	
3	Stem	Stainless steel 316	Stainless steel AISI 304/431, Bronze ASTM B584
4	Bonnet Gasket	EPDM ASTM D2000	NBR ASTM D2000
5	Bonnet	Ductile Iron ASTM A536 , 65-45-12	
6	O-Ring	NBR ASTM D2000	EPDM ASTM D2000
7	Gland	Ductile Iron ASTM A536 , 65-45-12	
8	Handwheel	Ductile Iron ASTM A536 , 65-45-12	
9	Bolt	Stainless steel 316	Stainless steel 304
10	Flat Washer	Stainless steel 316	Stainless steel 304
11	Ring Wiper	EPDM ASTM D2000	NBR ASTM D2000
12	O-Ring	NBR ASTM D2000	EPDM ASTM D2000
13	Bolt	Stainless steel 316	Stainless steel 304
14	Axis Guide	Brass ASTM B-283 C37700	
15	Washer	Brass ASTM B-283 C37700	
16	O-Ring	NBR ASTM D2000	EPDM ASTM D2000
17	Bolt	Stainless steel 316	Stainless steel 304
18	Wedge Nut	Brass ASTM B-283 C37700	Bronze ASTM B-584 Alloy C89833

Note: For special material request other than standard specification, please indicate clearly on the inquiry or order list.

Item No.	DN	Dimensions(Inch)								
		L	H	D	D1	C	n-ΦL	OD	d	A
JMZ55X02FGR	2"	7.00	10.00	5.98	4.75	0.63	4-Φ0.75	2.37	2.25	0.63
JMZ55X25FGR	2.5"	7.50	10.83	7.01	5.50	0.69	4-Φ0.75	2.87	2.72	0.63
JMZ55X03FGR	3"	8.00	11.85	7.52	6.00	0.75	4-Φ0.75	3.50	3.34	0.63
JMZ55X04FGR	4"	9.00	13.98	9.02	7.50	0.75	8-Φ0.75	4.50	4.33	0.63
JMZ55X05FGR	5"	10.00	15.47	10.00	8.50	0.75	8-Φ0.88	5.56	5.39	0.63
JMZ55X06FGR	6"	10.50	17.64	10.98	9.50	0.75	8-Φ0.88	6.63	6.46	0.63
JMZ55X08FGR	8"	11.50	21.57	13.50	11.75	0.87	8-Φ0.88	8.63	8.44	0.75
JMZ55X10FGR	10"	13.00	24.65	15.98	14.25	0.94	12-Φ1.00	10.75	10.56	0.75
JMZ55X12FGR	12"	14.00	28.43	19.02	17.00	1.00	12-Φ1.00	12.75	12.53	0.75

- Connection Ends: Flange to ASME B16.1 CL 125 Groove to AWWA C606
- Working Pressure: 300PSI 200PSI and 250PSI available upon request
- Temperature Range: 0°C -80°C
- Coating: Fusion Bonded Epoxy Coating in accordance with ANSI/AWWA C550