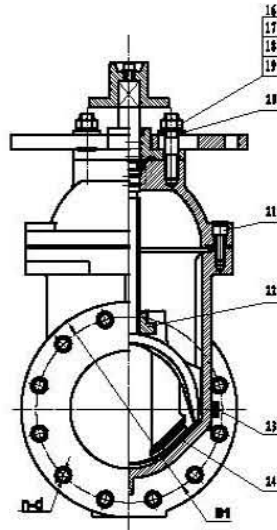
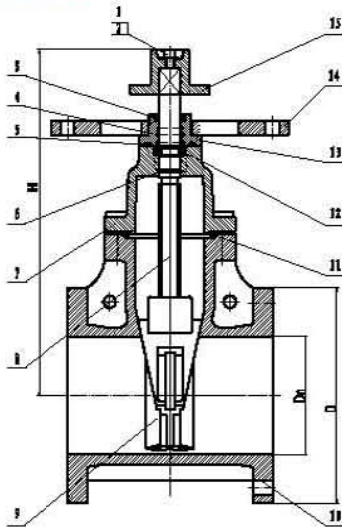




## AWWA C515 Flanged Resilient NRS Gate Valve with Post Flange(JKDZ45-300)



### MATERIAL SPECIFICATION

PART NO.	Description	Material Specification	Options
1	Flat Washer	Stainless steel 304	Stainless steel 316
2	Inner Hexagon Screw	Stainless steel 304	Stainless steel 316
3	Sealing Gland	EPDM ASTM D2000	
4	O-Ring	EPDM ASTM D2000	
5	Sealing Ring	EPDM ASTM D2000	
6	O-Ring	EPDM ASTM D2000	
7	Bonnet	ASTM A536 65-45-12	
8	Stern	Stainless steel 304	Stainless steel 316
9	Disc	EPDM ASTM D2000+ASTM A536 65-45-12	
10	Body	ASTM A536 65-45-12	
11	Sealing Ring	EPDM ASTM D2000	
12	Retaining Ring	ASTM B148 C95400	
13	Gland	ASTM A536 65-45-12	
14	Terminal Pad	ASTM A536 65-45-12	
15	Link Block	ASTM A536 65-45-12	
16	Nut	Stainless steel 304	Stainless steel 316
17	Studs	Stainless steel 304	Stainless steel 316
18	Spring Washer	Steel	
19	Washer	Steel	
20	Washer	Steel	
21	Inner Hexagon Screw	Steel	
22	Masterscrew	ASTM B148 C95400	
23	Plug	ASTM B148 C95400	
24	Skeleton	ASTM A536 65-45-12	

Note: For special material request other than standard specification, please indicate clearly on the inquiry or order list.

Item No.	DN	Dimensions (Inch)				
		L	H	D	D1	n-ØL
JKDZ45-300FLG25	2.5"	7.48	11.50	7.01	5.49	4-Ø0.75
JKDZ45-300FLG03	3"	7.99	12.68	7.52	6.00	4-Ø0.75
JKDZ45-300FLG04	4"	9.02	13.46	9.02	7.50	8-Ø0.75
JKDZ45-300FLG05	5"	10.00	16.22	10.00	8.50	8-Ø0.87
JKDZ45-300FLG06	6"	10.51	17.64	10.98	9.51	8-Ø0.87
JKDZ45-300FLG08	8"	11.50	21.02	13.50	11.75	8-Ø0.87
JKDZ45-300FLG10	10"	12.99	25.00	15.98	14.25	12-Ø1.00
JKDZ45-300FLG12	12"	14.02	28.35	19.02	17.01	12-Ø1.00

- Connection Ends: Flange to ASME B16.1 CL 125
- Working Pressure: 300PSI available upon request
- Temperature Range: 0°C-80 °C
- Coating: Fusion Bonded Epoxy Coating in accordance with ANSI/AWWA C550