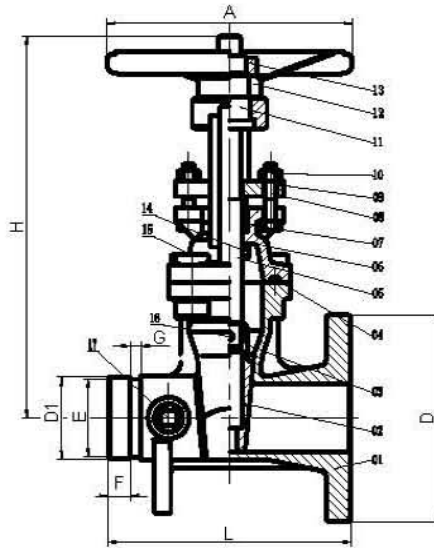




AWWA C515 Flanged x Grooved Resilient OS&Y Gate Valve(JKDZ481)



MATERIAL SPECIFICATION

PART NO.	Description	Material Specification	Options
1	Body	Ductile Iron ASTM A536 65-45-12	
2	Disc	Ductile Iron ASTM A536 , 65-45-12 + EPDM ASTM D2000	
3	Connecting Part	Brass ASTM B148 C95400	
4	Sealing Pad	EPDM ASTM D2000	
5	Stern	Stainless steel 304 ASTM A276	
6	Cap	Ductile Iron ASTM A536 65-45-12	
7	Sealing Kits	PTFE	
8	Bolt	Steel ANSI 1045	
9	Platen	Ductile Iron ASTM A536 65-45-12	
10	Nut	Steel ANSI 1045	
11	Rotating Nut	Brass ASTM B148 C95400	
12	Handwheel	Steel ANSI 1045	
13	Lock Nut	Steel ANSI 1045	
14	Flat Key	Stainless steel 416 ASTM A276	
15	Countersunk Head Bolt	Stainless steel 304 ASTM A276	Stainless steel 316
16	Cylinder Pin	Stainless steel 304 ASTM A276	Stainless steel 316
17	Plug	Brass ASTM B148 C95400	

Note:For special material request other than standard specification,please indicate clearly on the inquiry or order list.

Item No.	SIZE	Dimensions(Inch)							
		L	H	D	A	D1	E	F	G
JKDZ48102GFR	2"	7.01	12.32	5.98	7.09	2.37	2.25	0.63	0.31
JKDZ48125GFR	2.5"	7.48	13.39	7.01	7.87	3.00	2.85	0.63	0.31
JKDZ48103GFR	3"	7.99	15.24	7.52	8.66	3.50	3.34	0.63	0.31
JKDZ48104GFR	4"	9.02	17.32	9.02	9.84	4.50	4.33	0.63	0.37
JKDZ48105GFR	5"	10.00	21.50	10.00	11.02	5.56	5.39	0.63	0.37
JKDZ48106GFR	6"	10.51	23.90	10.98	11.81	6.63	6.45	0.63	0.37
JKDZ48108GFR	8"	11.50	30.94	13.50	13.78	8.63	8.44	0.75	0.44
JKDZ48110GFR	10"	12.99	37.24	15.98	15.98	10.75	10.56	0.75	0.50
JKDZ48112GFR	12"	14.02	43.70	19.02	15.98	12.75	12.53	0.75	0.50

- Connection Ends: Flange to ASME B16.1 CL 125
Groove to AWWA C606
- Working Pressure: 300PSI 200PSI and 250PSI
available upon request
- Temperature Range: 0°C - 80°C
- Coating: Fusion Bonded Epoxy Coating in
accordance with ANSI/AWWA C550

