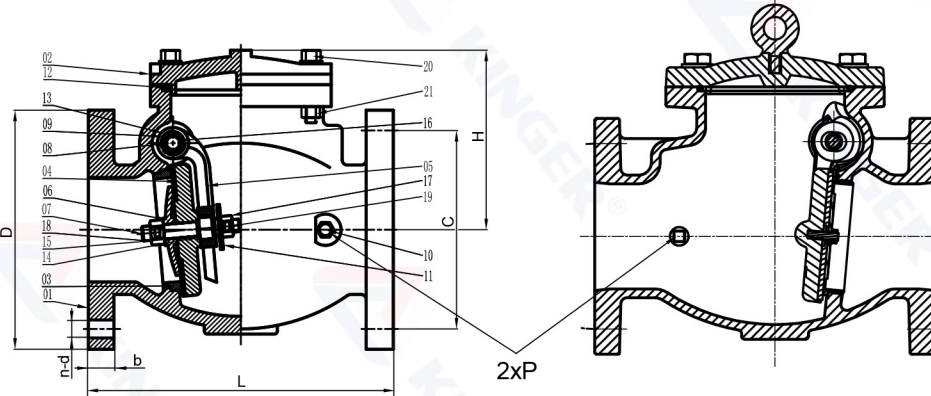


# Flanged Resilient Swing Check Valve 300PSI (JKDCV-F300A/B)



JKDCV-F300A

JKDCV-F300B

**MATERIAL SPECIFICATION**

PART NO.	Description	Material Specification	
		JKDCV-F300A	JKDCV-F300B
1	Body	Ductile Iron ASTM A536	Ductile Iron ASTM A536
2	Bonnet	Ductile Iron ASTM A536	Ductile Iron ASTM A536
3	Seat Ring	ASTM B148 C95400	HPb57-3
4	Disc	EPDM ASTM D2000 +DI ASTM A536	EPDM ASTM D2000 +DI ASTM A536
5	Rocker Arm	Ductile Iron ASTM A536	
6	Baffle Plate	ASTM B148 C95400	2-4" Stainless Steel 304
			6-12" Ductile Iron ASTM A536
7	Middle Stem	Stainless Steel 304 ASTM A276	Stainless Steel 304 ASTM A276
8	Stem	Stainless Steel 304 ASTM A276	Stainless Steel 420
9	Bracket Screw	Stainless Steel 304 ASTM A276	Stainless Steel 304 ASTM A276
10	Plug	ASTM B148 C95400	HPb57-3
11	Gasket	Stainless Steel 304 ASTM A276	Stainless Steel 304 ASTM A276
12	O-Ring	EPDM ASTM D2000	EPDM ASTM D2000
13	O-Ring	EPDM ASTM D2000	
14	O-Ring	EPDM ASTM D2000	
15	O-Ring	EPDM ASTM D2000	
16	Bronze Bush	Power Metallurgy	CW617N
17	Nut	Stainless Steel 304 ASTM A276	
18	Nut	Stainless Steel 304 ASTM A276	Stainless Steel 304 ASTM A276
19	Cotter Pin	Stainless Steel 304 ASTM A276	
20	Bolt	Stainless Steel 304 ASTM A276	Stainless Steel 304 ASTM A276
21	Nut	Stainless Steel 304 ASTM A276	

Note: For special material request other than standard specification, please indicate clearly on the inquiry or order list.



JKDCV-F300A



JKDCV-F300B

Item	Dimensions(Inch)											
	Size	D	C	b	n	d	JKDCV-F300A			JKDCV-F300B		
							L	H	P	L	H	P
JKDCV-F30002	2"	6.00	4.75	0.62	4	0.750	8.00	5.59	1/4 NPT	8.00	5.28	3/8 NPT
JKDCV-F300025	2.5"	7.00	5.50	0.69	4	0.750	8.50	5.83	1/4 NPT	10.00	5.79	3/8 NPT
JKDCV-F30003	3"	7.50	6.00	0.75	4	0.750	9.50	6.44	1/4 NPT	11.00	5.91	1/2 NPT
JKDCV-F30004	4"	9.00	7.50	0.94	8	0.750	11.50	6.77	1/4 NPT	13.00	8.86	1/2 NPT
JKDCV-F30005	5"	10.00	8.50	0.94	8	0.875	13.00	9.33	1/4 NPT	N/A	N/A	N/A
JKDCV-F30006	6"	11.00	9.50	1.00	8	0.875	14.00	9.17	1/4 NPT	16.00	11.81	3/4 NPT
JKDCV-F30008	8"	13.50	11.75	1.12	8	0.875	19.50	11.85	1/4 NPT	19.50	14.06	3/4 NPT
JKDCV-F30010	10"	16.00	14.25	1.19	12	1.000	24.50	13.70	1/4 NPT	24.50	16.54	3/4 NPT
JKDCV-F30012	12"	19.00	17.00	1.25	12	1.000	27.50	16.50	1/4 NPT	26.00	18.11	3/4 NPT

- Connection Ends: Flange to ASME B16.1 CL 125/  
ASME B16.42 CL150
- Working Pressure: 300PSI
- Temperature Range: 32 °F -176 °F
- Coating: Fusion Bonded Epoxy Coating in accordance  
with ANSI/AWWA C550

