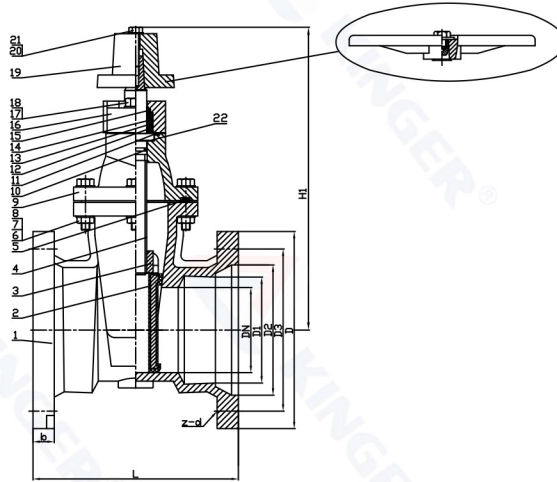


AWWA C509 Mechanical Joint Resilient NRS Gate Valve 250PSI (JHZ35XQ)



With Wrench Nut



With HandWheel

MATERIAL SPECIFICATION

PART NO.	Description	Material Specification	Options
1	Body	Ductile Iron ASTM A536	
2	Wedge	DI ASTM A536+EPDM ASTM D2000	
3	Stem Nut	Brass ASTM B16	
4	Stem	Stainless Steel 316	Stainless Steel 304/Brass
5	Gasket	EPDM ASTM D2000	
6	Bonnet Bolt	Stainless Steel 316	Stainless Steel 304
7	Nut	Stainless Steel 316	Stainless Steel 304
8	Washer	Stainless Steel 316	Stainless Steel 304
9	Bonnet	Ductile Iron ASTM A536	
10	O-Ring	EPDM ASTM D2000	
11	O-Ring	EPDM ASTM D2000	
12	O-Ring	EPDM ASTM D2000	
13	Seal Ring	Brass ASTM B16	
14	O-Ring	EPDM ASTM D2000	
15	Dust Ring	EPDM ASTM D2000	
16	Gland	Ductile Iron ASTM A536	
17	Washer	Stainless Steel 316	Stainless Steel 304
18	Gland Bolt	Stainless Steel 316	Stainless Steel 304
19	Wrench Nut	Ductile Iron ASTM A536	
20	Bolt	Stainless Steel 316	Stainless Steel 304
21	Washer	Stainless Steel 316	Stainless Steel 304
22	Minipad	PTFE	

- Connection Ends: Mechanical Joint to ANSI/AWWA C153/A21.53/
ANSI/AWWA C 110/A21.10
- Working Pressure: 250PSI
- Temperature Range: 32°F -176°F
- Coating: Fusion Bonded Epoxy Coating in accordance with ANSI/AWWA C550

Note: For special material request other than standard specification, please indicate clearly on the inquiry or order list. Both the hand wheel and the wrench are applicable.

Item No.	Dimensions(Inch)										Handwheel H	Wrench Nut H
	Size	D	D1	D2	D3	b	z	d	L			
	JHZ35XQ02	2"	6.25	2.61	3.50	4.75	0.75	2	0.750	8.25		
JHZ35XQ025	2.5"	6.75	3.30	4.22	5.40	0.88	2	0.750	8.25	10.47	11.42	
JHZ35XQ03	3"	7.69	4.06	4.94	6.19	0.94	4	0.750	8.50	11.69	12.64	
JHZ35XQ04	4"	9.12	4.90	6.02	7.50	1.00	4	0.875	9.50	12.99	13.94	
JHZ35XQ06	6"	11.12	7.00	8.12	9.50	1.06	6	0.875	10.00	16.46	17.40	
JHZ35XQ08	8"	13.37	9.15	10.27	11.75	1.12	6	0.875	10.50	19.69	20.63	
JHZ35XQ10	10"	15.69	11.20	12.34	14.00	1.19	8	0.875	12.00	23.03	23.98	
JHZ35XQ12	12"	17.94	13.30	14.44	16.25	1.25	8	0.875	13.00	26.14	27.09	
JHZ35XQ14	14"	20.31	15.44	16.54	18.75	1.31	10	0.875	14.00	30.00	30.94	
JHZ35XQ16	16"	22.56	17.54	18.64	21.00	1.38	12	0.875	18.00	32.95	33.90	
JHZ35XQ18	18"	24.83	19.64	20.74	23.25	1.44	12	0.875	19.25	36.46	37.40	
JHZ35XQ20	20"	27.08	21.74	22.84	25.50	1.50	14	0.875	20.00	39.49	40.43	
JHZ35XQ24	24"	31.58	25.94	27.04	30.00	1.62	16	0.875	22.00	45.67	46.61	