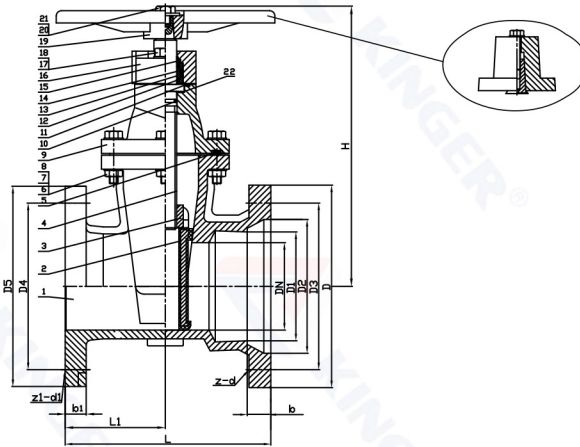


AWWA C509 Flanged x Mechanical Joint Resilient NRS Gate Valve 250PSI(JH004X)



With HandWheel



With Wrench Nut

MATERIAL SPECIFICATION

PART NO.	Description	Material Specification	Options
1	Body	Ductile Iron ASTM A536	
2	Wedge	DI ASTM A536+EPDM ASTM D2000	
3	Stem Nut	Brass ASTM B16	
4	Stem	Stainless Steel 316	Stainless Steel 304/Brass
5	Gasket	EPDM ASTM D2000	
6	Bonnet Bolt	Stainless Steel 316	Stainless Steel 304
7	Nut	Stainless Steel 316	Stainless Steel 304
8	Washer	Stainless Steel 316	Stainless Steel 304
9	Bonnet	Ductile Iron ASTM A536	
10	O-Ring	EPDM ASTM D2000	
11	O-Ring	EPDM ASTM D2000	
12	O-Ring	EPDM ASTM D2000	
13	Seal Ring	Brass ASTM B16	
14	O-Ring	EPDM ASTM D2000	
15	Dust Ring	EPDM ASTM D2000	
16	Gland	Ductile Iron ASTM A536	
17	Washer	Stainless Steel 316	Stainless Steel 304
18	Gland Bolt	Stainless Steel 316	Stainless Steel 304
19	Wheel	Ductile Iron ASTM A536	
20	Wheel Bolt	Stainless Steel 316	Stainless Steel 304
21	Washer	Stainless Steel 316	Stainless Steel 304
22	Minipad	PTFE	

- Connection Ends: Flanged to ASME B16.1 CL125 / ASME B16.42 CL150
Mechanical Joint to ANSI/AWWA C153/A21.53/
ANSI/AWWA C110/A21.10
- Working Pressure: 250PSI
- Temperature Range: 32°F -176°F
- Coating:Fusion Bonded Epoxy Coating in accordance with ANSI/AWWA C550

Note:For special material request other than standard specification,please indicate clearly on the inquiry or order list. Both the hand wheel and the wrench are applicable.

Item No.	Dimensions(Inch)																
	Size	Flange					Mechanical							L1	L	Handwheel	Wrench Nut
		D5	D4	b1	z1	d1	D	D1	D2	D3	b	z	d			H	H
JH004X02	2"	6.00	4.75	0.62	4	0.750	6.25	2.61	3.50	4.75	0.75	2	0.750	3.50	7.63	9.45	10.39
JH004X025	2.5"	7.00	5.50	0.69	4	0.750	6.75	3.30	4.22	5.40	0.88	2	0.750	3.75	7.87	10.47	11.42
JH004X03	3"	7.50	6.00	0.75	4	0.750	7.69	4.06	4.94	6.19	0.94	4	0.750	4.00	8.25	11.69	12.64
JH004X04	4"	9.00	7.50	0.94	8	0.750	9.12	4.90	6.02	7.50	1.00	4	0.875	4.50	9.26	12.99	13.94
JH004X06	6"	11.00	9.50	1.00	8	0.875	11.12	7.00	8.12	9.50	1.06	6	0.875	5.25	10.26	16.46	17.40
JH004X08	8"	13.50	11.75	1.12	8	0.875	13.37	9.15	10.27	11.75	1.12	6	0.875	5.75	11.00	19.69	20.63
JH004X10	10"	16.00	14.25	1.19	12	1.000	15.69	11.20	12.34	14.00	1.19	8	0.875	6.50	12.50	23.03	23.98
JH004X12	12"	19.00	17.00	1.25	12	1.000	17.94	13.30	14.44	16.25	1.25	8	0.875	7.00	13.51	26.14	27.09
JH004X14	14"	21.00	18.75	1.38	12	1.125	20.31	15.44	16.54	18.75	1.31	10	0.875	7.50	14.50	30.00	30.94
JH004X16	16"	23.50	21.25	1.44	16	1.125	22.56	17.54	18.64	21.00	1.38	12	0.875	8.00	16.99	32.95	33.90
JH004X18	18"	25.00	22.75	1.56	16	1.250	24.83	19.64	20.74	23.25	1.44	12	0.875	8.50	18.15	36.46	37.40
JH004X20	20"	27.50	25.00	1.69	20	1.250	27.08	21.74	22.84	25.50	1.50	14	0.875	9.00	19.00	39.49	40.43
JH004X24	24"	32.00	29.50	1.88	20	1.375	31.58	25.94	27.04	30.00	1.62	16	0.875	10.00	21.00	45.67	46.61