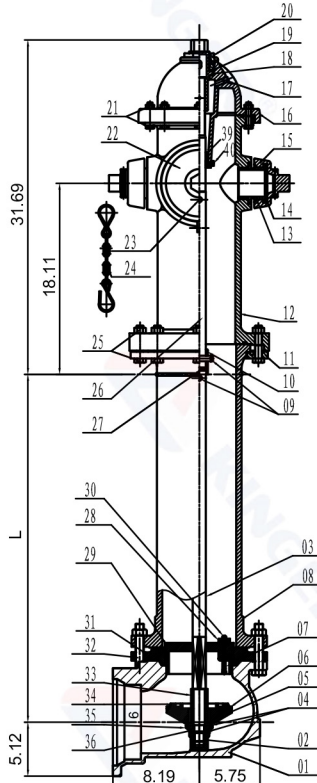


AWWA C502 Dry Barrel Mechanical Joint Fire Hydrant (K19MJ)



Technical requirements:

- Design standard:ANSI/AWWA C502.
- Normal pressure : 250PSI.
- 1 Connecting thread of fire truck is 4.5-4NH,2 thread connector of soft pipe is 2.5-7.5NH.
- Mechanical connector:ANSI/AWWA C153/21.53.

Item.No	L							
K19MJ	3'6"	4'	4'6"	5'	5'6"	6'	6'6"	7'

MATERIAL SPECIFICATION

PART NO.	Description	Material Specification	Options
1	Mechanical connector	Ductile Iron ASTM A536,65-45-12	
2	Locking nut	Ductile Iron ASTM A536,65-45-12	
3	Connecting rod	ASTM A29\29M 1045	
4	Locking nut gasket	EPDM ASTM D2000	NBR ASTM D2000
5	Tray	Ductile Iron ASTM A536,65-45-12	
6	Sealed rubber sheet	EPDM ASTM D2000	NBR ASTM D2000
7	Drain hole Spring	Stainless Steel SS316	
8	Connecting cylinder	Ductile Iron ASTM A536,65-45-12	
9	Perforated cylindrical pin	ASTM A29\29M 1045	
10	Connecting rod sleeve	ASTM A29\29M 1045	
11	Clamp for connection tube	Ductile Iron ASTM A536,65-45-12	
12	Main body on ground	Ductile Iron ASTM A536,65-45-12	
13	65 Connector	ASTM B148 C95400	
14	65 Cover gasket	EPDM ASTM D2000	NBR ASTM D2000
15	65 Cover	Ductile Iron ASTM A536,65-45-12	
16	Upper end cover	Ductile Iron ASTM A536,65-45-12	
17	Thread plug	ASTM B148 C95400	
18	Screw stem nut	ASTM B148 C95400	
19	Screw nut gasket	ASTM B148 C95400	
20	Screw nut seat	ASTM B148 C95400	
21	Bolt, Nut	ASTM A29\29M 1035	
22	100 Cover	Ductile Iron ASTM A536,65-45-12	
23	Cylindrical pin	ASTM A29\29M 1045	
24	Cover chain	ASTM A283-B Gr.B	
25	Bolt, Nut	ASTM A29\29M 1035	
26	Screw stem	ASTM A29\29M 1045	
27	Cushion rubber	EPDM ASTM D2000	NBR ASTM D2000
28	Drain hole cover	C95400+EPDM	
29	Seat	ASTM B148 C95400	
30	Bolt, Nut	Stainless Steel SS304	Stainless Steel SS316
31	Seat fixing plate	Ductile Iron ASTM A536,65-45-12	
32	Bolt, Nut	ASTM A29\29M 1035	
33	Annular tubes	ASTM A29\29M 1045	
34	Platen	Ductile Iron ASTM A536,65-45-12	
35	Locking nut seat	Ductile Iron ASTM A536,65-45-12	
36	Check turn gasket	ASTM A283-B Gr.B	
37	100 Connector	ASTM B148 C95400	
38	100 Cover gasket	EPDM ASTM D2000	NBR ASTM D2000
39	Screw stem bushing	Stainless Steel SS304	Stainless Steel SS316
40	Bolt	Stainless Steel SS304	Stainless Steel SS316



Note:For special material request other than standard specification,please indicate clearly on the inquiry or order list.

