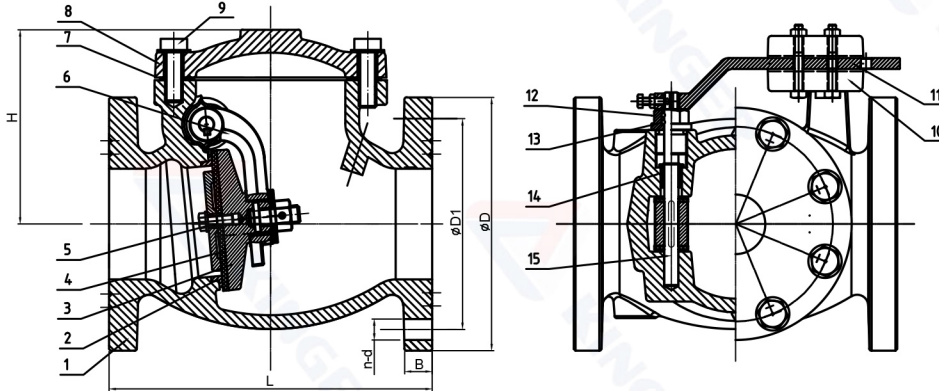


AWWA C508 Swing Check Valve with Weight & Lever (JMH44XW)



MATERIAL SPECIFICATION

Part No.	Description	Material Specification
1	Valve Body	ASTM A536 65-45-12
2	Seat	ASTM B148 C95400
3	Disc	ASTM A536 65-45-12
4	Seal	EPDM ASTM D2000
5	Bolts	Stainless Steel 304
6	Clapper Arm	ASTM A536 65-45-12
7	Bonnet Gasket	EPDM ASTM D2000
8	Bonnet	ASTM A536 65-45-12
9	Bolts	Stainless Steel 304
10	Weight	ASTM A536 65-45-12
11	Arm	ASTM A216
12	Plug	ASTM B148 C95400
13	O-Ring	EPDM ASTM D2000
14	Hinge Bushing	ASTM B148 C95400
15	Hinge Pin	Stainless Steel 420



- Design Basis: AWWA C508
- Connection Ends: Flanged to ASME B16.1 CL125 / ASME B16.42 CL150
- Working Pressure: 300PSI
- Temperature Range: 32°F -176°F
- Coating: Fusion Bonded Epoxy Coating in accordance with ANSI/AWWA C550

Note: For special material request other than standard specification, please indicate clearly on the inquiry or order list.

Item No.	Dimensions(Inch)						
	Size	D	D1	B	n-d	L	H
JMH44XW02	2"	6.00	4.75	0.62	4-0.750	8.00	5.71
JMH44XW025	2.5"	7.00	5.50	0.69	4-0.750	8.50	6.18
JMH44XW03	3"	7.50	6.00	0.75	4-0.750	9.50	6.81
JMH44XW04	4"	9.00	7.50	0.94	8-0.750	11.50	6.93
JMH44XW06	6"	11.00	9.50	1.00	8-0.875	14.00	9.37
JMH44XW08	8"	13.50	11.75	1.12	8-0.875	19.50	10.75
JMH44XW10	10"	16.00	14.25	1.19	12-1.000	24.50	12.95
JMH44XW12	12"	19.00	17.00	1.25	12-1.000	27.50	14.09
JMH44XW14	14"	21.00	18.75	1.38	12-1.125	31.00	18.50
JMH44XW16	16"	23.50	21.25	1.44	16-1.125	36.00	21.06