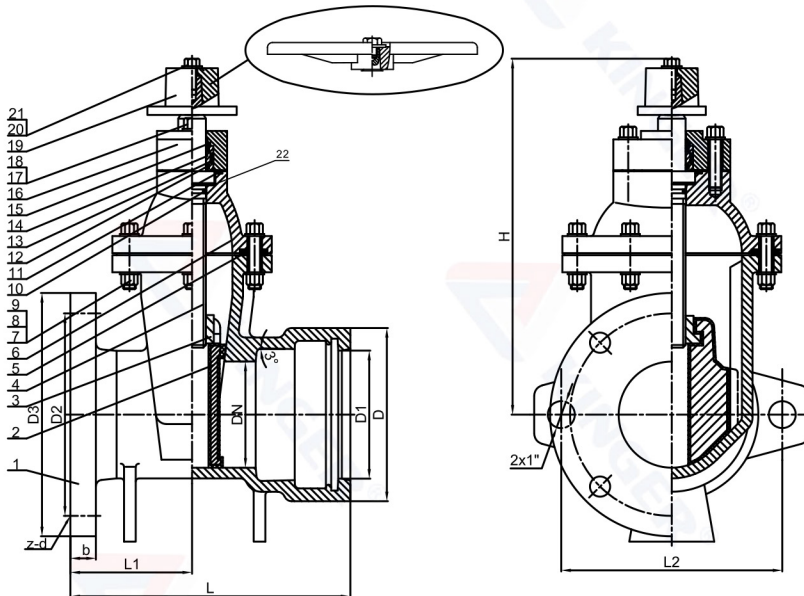


AWWA C509 Push-OnxFlanged Joint Resilient NRS Gate Valve (JHZ005)



With Wrench Nut



With HandWheel

MATERIAL SPECIFICATION

Part No.	Description	Material Specification	Options
1	Body	Ductile Iron ASTM A536	
2	Wedge	DI ASTM A536+EPDM ASTM D2000	
3	Stem Nut	Brass ASTM B16	
4	Stem	Stainless Steel 316	Stainless Steel 304/Brass
5	Bonnet Gasket	EPDM ASTM D2000	
6	Bonnet	Ductile Iron ASTM A536	
7	Bonnet Bolt	Stainless Steel 316	Stainless Steel 304
8	Nut	Stainless Steel 316	Stainless Steel 304
9	Washer	Stainless Steel 316	Stainless Steel 304
10	O-Ring	EPDM ASTM D2000	
11	O-Ring	EPDM ASTM D2000	
12	O-Ring	EPDM ASTM D2000	
13	O-Ring	EPDM ASTM D2000	
14	Seal Ring	Brass ASTM B16	
15	Dust-Ring	EPDM ASTM D2000	
16	Gland	Ductile Iron ASTM A536	
17	Washer	Stainless Steel 316	Stainless Steel 304
18	Bolt	Stainless Steel 316	Stainless Steel 304
19	Wrench Nut	Ductile Iron ASTM A536	
20	Washer	Stainless Steel 316	Stainless Steel 304
21	Bolt	Stainless Steel 316	Stainless Steel 304
22	Minipad	PTFE	

- Connection Ends: Push On Joint to ANSI/ANSI/AWWA C111/A21.11
Flange to ASME B16.1 CL 125/ ASME B16.42 CL 150
- Working Pressure: 250PSI
- Temperature Range: 32°F -176°F
- Coating: Fusion Bonded Epoxy Coating in accordance with ANSI/AWWA C550

Note: For special material request other than standard specification, please indicate clearly on the inquiry or order list. Both the hand wheel and the wrench are applicable.

Item No.	Dimensions(Inch)											
	Size	D	D1	D3	D2	b	Z	d	L2	L1	L	H
JHZ00504	4"	6.93	4.91	9.00	7.50	0.94	8	0.750	8.19	4.50	11.14	13.94
JHZ00506	6"	9.13	7.01	11.00	9.50	1.00	8	0.875	10.87	5.25	12.64	17.40
JHZ00508	8"	11.47	9.17	13.50	11.75	1.12	8	0.875	12.91	5.75	14.31	21.06
JHZ00510	10"	13.62	11.22	16.00	14.25	1.19	12	1.000	14.69	6.50	16.35	23.98
JHZ00512	12"	15.84	13.32	19.00	17.00	1.25	12	1.000	18.44	7.00	17.44	27.17