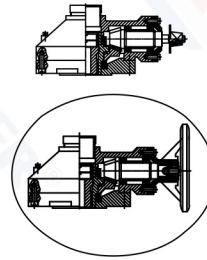
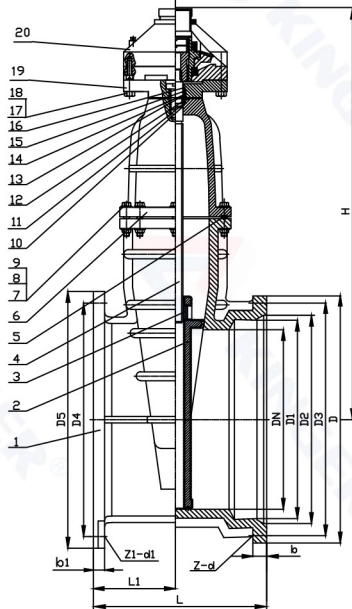


AWWA C509 Flanged x Mechanical Joint Gate Valve
With Wrench Nut & Gearbox 250PSI
(JH004X-G)



MATERIAL SPECIFICATION

Part No.	Description	Material Specification	Options
1	Body	Ductile Iron ASTM A536	
2	Wedge	DI ASTM A536 +EPDM ASTM D2000	
3	Stem Nut	Brass ASTM B16	
4	Stem	Stainless Steel SS316	Stainless Steel 304/Brass
5	Gasket	EPDM ASTM D2000	
6	Bonnet	Ductile Iron ASTM A536	
7	Bonnet Bolt	Stainless Steel SS316	Stainless Steel 304
8	Nut	Stainless Steel SS316	Stainless Steel 304
9	Washer	Stainless Steel SS316	Stainless Steel 304
10	O-Ring	EPDM ASTM D2000	
11	Minipad	14-24" PTFE	
	Bearing	30-48" Stainless Steel SS316	
12	O-Ring	EPDM ASTM D2000	
13	O-Ring	EPDM ASTM D2000	
14	O-Ring	EPDM ASTM D2000	
15	Seal Ring	Brass ASTM B16	
16	Dust Ring	EPDM ASTM D2000	
17	Bolt	Stainless Steel SS316	Stainless Steel 304
18	Washer	Stainless Steel SS316	Stainless Steel 304
19	Gland	Ductile Iron ASTM A536	
20	Gear Box		

- Connection Ends: Flanged to ASME B16.1 CL125 /ASME B16.42 CL150
Mechanical Joint to ANSI/AWWA C153/A21.53
ANSI/AWWA C110/A21.10
- Working Pressure: 250PSI
- Temperature Range: 32°F -176°F
- Coating:Fusion Bonded Epoxy Coating in accordance with ANSI/AWWA C550
- All JH Series Can Be Equipped with Gearbox

Note:For special material request other than standard specification,please indicate clearly on the inquiry or order list.

ITEM NO.	Size	Dimensions(Inch)															
		Flange					Mechanical								L	L1	H
		D5	D4	b1	z1	d1	D	D1	D2	D3	b	z	d				
JH004X-G14	14"	21.00	18.75	1.38	12	1.125	20.31	15.44	16.54	18.75	1.31	10	0.875	14.50	7.50	36.73	
JH004X-G16	16"	23.50	21.25	1.44	16	1.125	22.56	17.54	18.64	21.00	1.38	12	0.875	16.99	8.00	39.76	
JH004X-G18	18"	25.00	22.75	1.56	16	1.250	24.83	19.64	20.74	23.25	1.44	12	0.875	18.15	8.50	42.87	
JH004X-G20	20"	27.50	25.00	1.69	20	1.250	27.08	21.74	22.84	25.50	1.50	14	0.875	19.00	9.00	45.98	
JH004X-G24	24"	32.00	29.50	1.88	20	1.375	31.58	25.94	27.04	30.00	1.62	16	0.875	21.00	10.00	52.28	
JH004X-G30	30"	38.75	36.00	2.12	28	1.375	39.12	32.17	33.46	36.88	1.81	20	1.125	24.02	12.00	73.74	
JH004X-G36	36"	46.00	42.75	2.38	32	1.625	46.00	38.47	39.76	43.75	2.00	24	1.125	27.99	14.00	76.46	
JH004X-G42	42"	53.00	49.50	2.62	36	1.625	53.12	44.67	45.96	50.62	2.00	28	1.375	35.98	18.00	93.39	
JH004X-G48	48"	59.50	56.00	2.75	44	1.625	60.00	50.97	52.26	57.50	2.00	32	1.375	43.51	22.00	108.94	