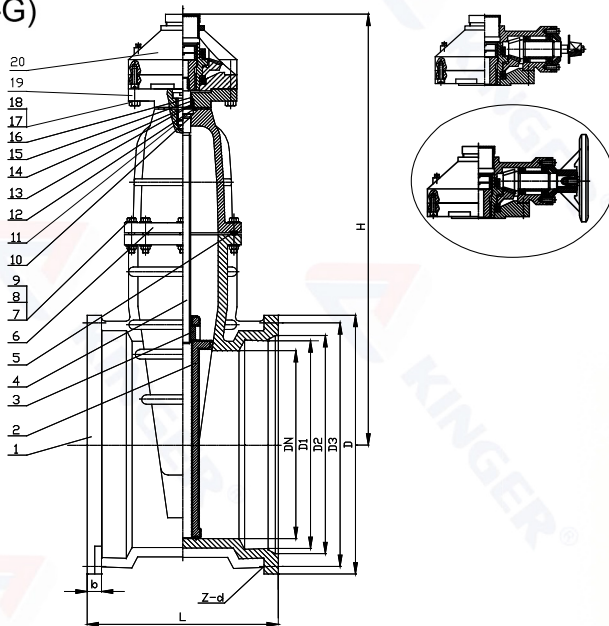


## AWWA C509 MJxMJ Gate Valve With Wrench Nut & Gearbox 250PSI (JHZ35XQ-G)



### MATERIAL SPECIFICATION

| Part No. | Description | Material Specification        | Options                   |
|----------|-------------|-------------------------------|---------------------------|
| 1        | Body        | Ductile Iron ASTM A536        |                           |
| 2        | Wedge       | DI ASTM A536 +EPDM ASTM D2000 |                           |
| 3        | Stem Nut    | Brass ASTM B16                |                           |
| 4        | Stem        | Stainless Steel SS316         | Stainless Steel 304/Brass |
| 5        | Gasket      | EPDM ASTM D2000               |                           |
| 6        | Bonnet      | Ductile Iron ASTM A536        |                           |
| 7        | Bonnet Bolt | Stainless Steel SS316         | Stainless Steel 304       |
| 8        | Nut         | Stainless Steel SS316         | Stainless Steel 304       |
| 9        | Washer      | Stainless Steel SS316         | Stainless Steel 304       |
| 10       | O-Ring      | EPDM ASTM D2000               |                           |
| 11       | Minipad     | 14-24" PTFE                   |                           |
|          | Bearing     | 30-48" Stainless Steel SS316  |                           |
| 12       | O-Ring      | EPDM ASTM D2000               |                           |
| 13       | O-Ring      | EPDM ASTM D2000               |                           |
| 14       | O-Ring      | EPDM ASTM D2000               |                           |
| 15       | Seal Ring   | Brass ASTM B16                |                           |
| 16       | Dust Ring   | EPDM ASTM D2000               |                           |
| 17       | Bolt        | Stainless Steel SS316         | Stainless Steel 304       |
| 18       | Washer      | Stainless Steel SS316         | Stainless Steel 304       |
| 19       | Gland       | Ductile Iron ASTM A536        |                           |
| 20       | Gear Box    |                               |                           |

- Connection Ends: Mechanical Joint to ANSI/AWWA C153/A21.53/ ANSI/AWWA C110/A21.10
- Working Pressure: 250PSI
- Temperature Range: 32°F -176°F
- Coating: Fusion Bonded Epoxy Coating in accordance with ANSI/AWWA C550
- All JHZ Series Can Be Equipped with Gearbox

Note: For special material request other than standard specification, please indicate clearly on the inquiry or order list.

| ITEM NO.    | Dimensions(Inch) |       |       |       |       |      |    |       |       |        |
|-------------|------------------|-------|-------|-------|-------|------|----|-------|-------|--------|
|             | Size             | D     | D1    | D2    | D3    | b    | z  | d     | L     | H      |
| JHZ35XQ-G14 | 14"              | 20.31 | 15.44 | 16.54 | 18.75 | 1.31 | 10 | 0.875 | 14.00 | 36.73  |
| JHZ35XQ-G16 | 16"              | 22.56 | 17.54 | 18.64 | 21.00 | 1.38 | 12 | 0.875 | 18.00 | 39.76  |
| JHZ35XQ-G18 | 18"              | 24.83 | 19.64 | 20.74 | 23.25 | 1.44 | 12 | 0.875 | 19.29 | 42.87  |
| JHZ35XQ-G20 | 20"              | 27.08 | 21.74 | 22.84 | 25.50 | 1.50 | 14 | 0.875 | 20.00 | 45.98  |
| JHZ35XQ-G24 | 24"              | 31.58 | 25.94 | 27.04 | 30.00 | 1.62 | 16 | 0.875 | 22.00 | 52.28  |
| JHZ35XQ-G30 | 30"              | 39.12 | 32.17 | 33.46 | 36.88 | 1.81 | 20 | 1.125 | 24.02 | 73.74  |
| JHZ35XQ-G36 | 36"              | 46.00 | 38.47 | 39.76 | 43.75 | 2.00 | 24 | 1.125 | 27.99 | 76.46  |
| JHZ35XQ-G42 | 42"              | 53.12 | 44.67 | 45.96 | 50.62 | 2.00 | 28 | 1.375 | 35.98 | 93.39  |
| JHZ35XQ-G48 | 48"              | 60.00 | 50.97 | 52.26 | 57.50 | 2.00 | 32 | 1.375 | 43.00 | 108.94 |