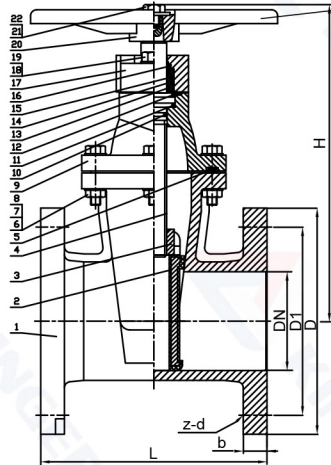


AWWA C509 Flanged Resilient NRS Gate Valve with Bearing 250PSI (JHZ45XQ-B)



With HandWheel



With Wrench Nut

- Connection Ends: Flange to ASME B16.1 CL 125 / ASME B16.42 CL150
- Working Pressure: 250PSI
- Temperature Range: 32°F -176°F
- Coating: Fusion Bonded Epoxy Coating in accordance with ANSI/AWWA C550

MATERIAL SPECIFICATION

PART NO.	Description	Material Specification	Options
1	Body	Ductile Iron ASTM A536	
2	Wedge	DI ASTM A536+EPDM ASTM D2000	
3	Stem Nut	Brass ASTM B16	
4	Stem	Stainless Steel 316	Stainless Steel 304/Brass
5	Gasket	EPDM ASTM D2000	
6	Bonnet Bolt	Stainless Steel 316	Stainless Steel 304
7	Nut	Stainless Steel 316	Stainless Steel 304
8	Washer	Stainless Steel 316	Stainless Steel 304
9	Bonnet	Ductile Iron ASTM A536	
10	O-Ring	EPDM ASTM D2000	
11	Bearing	Stainless Steel 316	Stainless Steel 304
12	O-Ring	EPDM ASTM D2000	
13	O-Ring	EPDM ASTM D2000	
14	Seal Ring	Brass ASTM B16	
15	O-Ring	EPDM ASTM D2000	
16	Dust Ring	EPDM ASTM D2000	
17	Gland	Ductile Iron ASTM A536	
18	Washer	Stainless Steel 316	Stainless Steel 304
19	Gland Bolt	Stainless Steel 316	Stainless Steel 304
20	Wheel/Cap	Ductile Iron ASTM A536	
21	Wheel/Cap Bolt	Stainless Steel 316	Stainless Steel 304
22	Washer	Stainless Steel 316	Stainless Steel 304

Note: For special material request other than standard specification, please indicate clearly on the inquiry or order list. Both the hand wheel and the wrench are applicable.

Item No.	Dimensions(Inch)							Handwheel	Wrench Nut
	Size	D	D1	b	z	d	L	H	H
	JHZ45XQ-B 02	2"	6.00	4.75	0.62	4	0.750	7.00	10.31
JHZ45XQ-B 025	2.5"	7.00	5.50	0.69	4	0.750	7.50	11.34	12.28
JHZ45XQ-B 03	3"	7.50	6.00	0.75	4	0.750	8.00	12.56	13.50
JHZ45XQ-B 04	4"	9.00	7.50	0.94	8	0.750	9.00	13.86	14.80
JHZ45XQ-B 05	5"	10.00	8.50	0.94	8	0.875	10.00	15.67	16.61
JHZ45XQ-B 06	6"	11.00	9.50	1.00	8	0.875	10.50	17.32	18.27
JHZ45XQ-B 08	8"	13.50	11.75	1.12	8	0.875	11.50	20.63	21.57
JHZ45XQ-B 10	10"	16.00	14.25	1.19	12	1.000	13.00	24.06	25.00
JHZ45XQ-B 12	12"	19.00	17.00	1.25	12	1.000	14.00	27.17	28.11
JHZ45XQ-B 14	14"	21.00	18.75	1.38	12	1.125	15.00	31.10	32.05
JHZ45XQ-B 16	16"	23.50	21.25	1.44	16	1.125	16.00	34.06	35.00
JHZ45XQ-B 18	18"	25.00	22.75	1.56	16	1.250	17.00	37.56	38.50
JHZ45XQ-B 20	20"	27.50	25.00	1.69	20	1.250	18.00	40.59	41.54
JHZ45XQ-B 24	24"	32.00	29.50	1.88	20	1.375	20.00	46.77	47.72