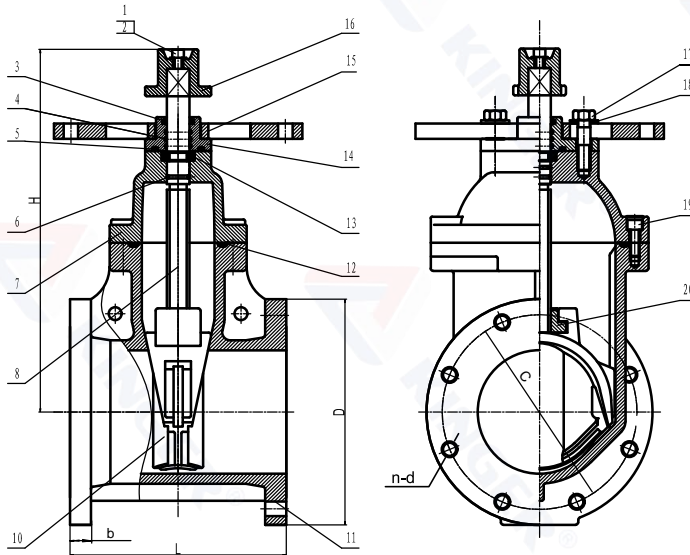


AWWA C515 Flanged Resilient NRS Gate Valve with Post Plate 300PSI (JKDZ45FPF)



JKDZ45FPF



JKDZ45

MATERIAL SPECIFICATION

| PART NO. | Description | Material Specification | Options |
|----------|----------------------|-------------------------------|---------------------|
| 1 | Flat Washer | Stainless Steel 304 | Stainless Steel 316 |
| 2 | Hexagon Socket Screw | Stainless Steel 304 | Stainless Steel 316 |
| 3 | Sealing Ring | EPDM ASTM D2000 | |
| 4 | O-Ring | EPDM ASTM D2000 | |
| 5 | Sealing Ring | EPDM ASTM D2000 | |
| 6 | O-Ring | EPDM ASTM D2000 | |
| 7 | Bonnet | Ductile Iron ASTM A536 | |
| 8 | Stem | Stainless Steel 304 | Stainless Steel 316 |
| 10 | Disc | EPDM ASTM D2000 +DI ASTM A536 | |
| 11 | Body | Ductile Iron ASTM A536 | |
| 12 | Sealing Ring | EPDM ASTM D2000 | |
| 13 | Retaining Ring | ASTM B148 C95400 | |
| 14 | Gland | Ductile Iron ASTM A536 | |
| 15 | Post Plate | Ductile Iron ASTM A536 | |
| 16 | Wrench Nut | Ductile Iron ASTM A536 | |
| 17 | Bolt | Stainless Steel 304 | Stainless Steel 316 |
| 18 | Washer | Stainless Steel 304 | Stainless Steel 316 |
| 19 | Hexagon Socket Screw | Stainless Steel 304 | Stainless Steel 316 |
| 20 | Stem Nut | ASTM B148 C95400 | |

Note: For special material request other than standard specification, please indicate clearly on the inquiry or order list.

| Item No. | Dimensions(Inch) | | | | | | | |
|--------------|------------------|-------|-------|------|----|-------|-------|-------|
| | Size | D | C | b | n | d | L | H |
| JKDZ45FPF025 | 2.5" | 7.00 | 5.50 | 0.69 | 4 | 0.750 | 7.50 | 11.50 |
| JKDZ45FPF03 | 3" | 7.50 | 6.00 | 0.75 | 4 | 0.750 | 8.00 | 12.68 |
| JKDZ45FPF04 | 4" | 9.00 | 7.50 | 0.94 | 8 | 0.750 | 9.00 | 13.46 |
| JKDZ45FPF05 | 5" | 10.00 | 8.50 | 0.94 | 8 | 0.875 | 10.00 | 16.22 |
| JKDZ45FPF06 | 6" | 11.00 | 9.50 | 1.00 | 8 | 0.875 | 10.50 | 17.64 |
| JKDZ45FPF08 | 8" | 13.50 | 11.75 | 1.12 | 8 | 0.875 | 11.50 | 21.02 |
| JKDZ45FPF10 | 10" | 16.00 | 14.25 | 1.19 | 12 | 1.000 | 13.00 | 25.00 |
| JKDZ45FPF12 | 12" | 19.00 | 17.00 | 1.25 | 12 | 1.000 | 14.00 | 28.35 |

- Connection Ends: Flange to ASME B16.1 CL 125 / ASME B16.42 CL150
- Working Pressure: 300PSI
- Temperature Range: 32°F -176°F
- Coating: Fusion Bonded Epoxy Coating in accordance with ANSI/AWWA C550

