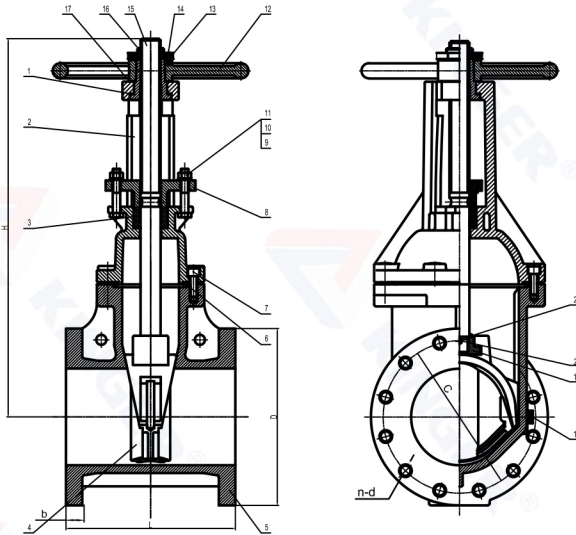


# AWWA C515 Flanged Resilient OS&Y Gate Valve 300PSI (JKDZ41-300A)



### MATERIAL SPECIFICATION

Part NO.	Description	Material Specification	Options
1	Gasket	ASTM B148 C95400	
2	Bonnet	Ductile Iron ASTM A536	
3	Packing	Graphite	
4	Disc	EPDM ASTM D2000 +DI ASTM A536	
5	Body	Ductile Iron ASTM A536	
6	Sealing Ring	EPDM ASTM D2000	
7	Bolt	Stainless Steel 304	Stainless Steel 316
8	Gland	Ductile Iron ASTM A536	
9	Nut	Stainless Steel 304	Stainless Steel 316
10	Flat Washer	Stainless Steel 304	Stainless Steel 316
11	Bolt	Stainless Steel 304	Stainless Steel 316
12	Handwheel	Ductile Iron ASTM A536	
13	Lock Nut	ASTM B148 C95400	
14	Locating Screw	Stainless Steel 304	Stainless Steel 316
15	Stem	Stainless Steel 304	Stainless Steel 316
16	Stem Nut	ASTM B148 C95400	
17	Gasket	ASTM B148 C95400	
18	Plug	ASTM B148 C95400	Stainless Steel 304/316
19	Stem Nut	Stainless Steel 304	Stainless Steel 316
20	Pin	Stainless Steel 304	Stainless Steel 316
21	Sealing Ring	EPDM ASTM D2000	

Note: For special material request other than standard specification, please indicate clearly on the inquiry or order list.

Item No.	Dimensions(Inch)							
	Size	D	C	b	n	d	L	H
JKDZ41-300FLG025	2.5"	7.00	5.50	0.69	4	0.750	7.50	14.57
JKDZ41-300FLG03	3"	7.50	6.00	0.75	4	0.750	8.00	16.54
JKDZ41-300FLG04	4"	9.00	7.50	0.94	8	0.750	9.00	17.60
JKDZ41-300FLG05	5"	10.00	8.50	0.94	8	0.875	10.00	21.54
JKDZ41-300FLG06	6"	11.00	9.50	1.00	8	0.875	10.50	23.90
JKDZ41-300FLG08	8"	13.50	11.75	1.12	8	0.875	11.50	29.69
JKDZ41-300FLG10	10"	16.00	14.25	1.19	12	1.000	13.00	35.04
JKDZ41-300FLG12	12"	19.00	17.00	1.25	12	1.000	14.00	40.59

- Connection Ends: Flange to ASME B16.1 CL 125 / ASME B16.42 CL150
- Working Pressure: 300PSI
- Temperature Range: 32°F -176°F
- Coating: Fusion Bonded Epoxy Coating in accordance with ANSI/AWWA C550