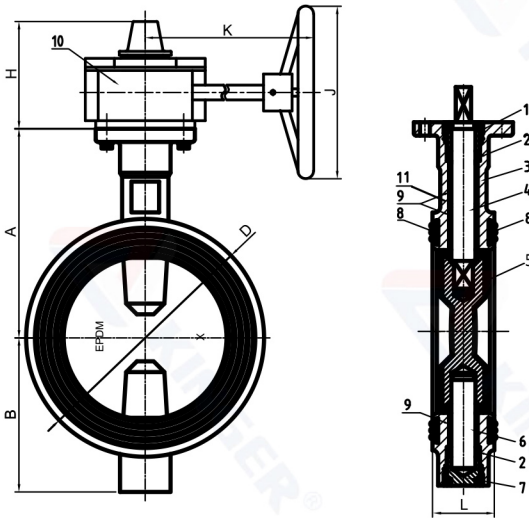


Wafer Butterfly Valve with Tamper Switch 300PSI (JKDWD-371X/JKDWD-371Y)



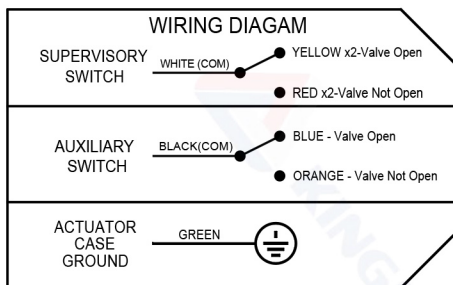
MATERIAL SPECIFICATION

PART NO.	Description	Material Specification
1	Upper Shaft Sealing Nut	WCB ASTM A216
2	Shaft Seal	EPDM ASTM D2000
3	Body	Ductile Iron ASTM A536
4	Upper Shaft	Stainless Steel 416 ASTM A582
5	Disc	EPDM ASTM D2000+DI ASTM A536
6	Lower Shaft	Stainless Steel 416 ASTM A582
7	Lower Shaft Sealing Nut	WCB ASTM A216
8	End Face Seal	EPDM ASTM D2000
9	Stem Bushing	2"-6" PTFE
		8" FZ2175
		10"-12" Brass+Graphite
10	Gear Box	
11	O-Ring	EPDM ASTM D2000

- Design Standard: MSS SP-67
- Connection Ends: Flange to ASME B16.1 CL125 / ASME B16.42 CL150
- Top Flange Standard: ISO 5211
Stem drive by keys, parallel or diagonal square or flat head
- Working Pressure: 300PSI
- Temperature Range: 32°F -176 °F
- Coating: Fusion Bonded Epoxy Coating in accordance with ANSI/AWWA C550 or painting upon request
- 2.5"-12" : UL/FM Approved
- 2" : UL Approved
- 2" : FM is Pending

Note: For special material request other than standard specification, please indicate clearly on the inquiry or order list

SWITCH WIRING DIAGRAM



Item No.	Dimensions(Inch)								
	Size	A	B	D	K	J	L	H	
JKDWD-371X02	2"	4.33	3.35	3.94	6.02	8.58	3.39	1.65	4.37
JKDWD-371X025	2.5"	4.92	3.74	4.41	6.02	8.58	5.98	1.74	4.37
JKDWD-371X03	3"	5.51	3.94	4.72	6.02	8.58	5.98	1.78	4.37
JKDWD-371X04	4"	6.30	3.94	6.34	6.02	8.58	5.98	2.05	4.37
JKDWD-371X05	5"	6.69	4.92	7.17	6.02	8.58	5.98	2.14	4.37
JKDWD-371X06	6"	7.48	5.51	8.50	6.02	8.58	7.87	2.20	4.37
JKDWD-371X08	8"	9.06	6.89	10.24	8.27	9.13	11.81	2.38	4.96
JKDWD-371X/Y10	10"	10.24	7.87	12.60	9.80		13.78	2.62	6.34
JKDWD-371X/Y12	12"	11.81	9.45	14.76	9.80		13.78	3.03	6.34