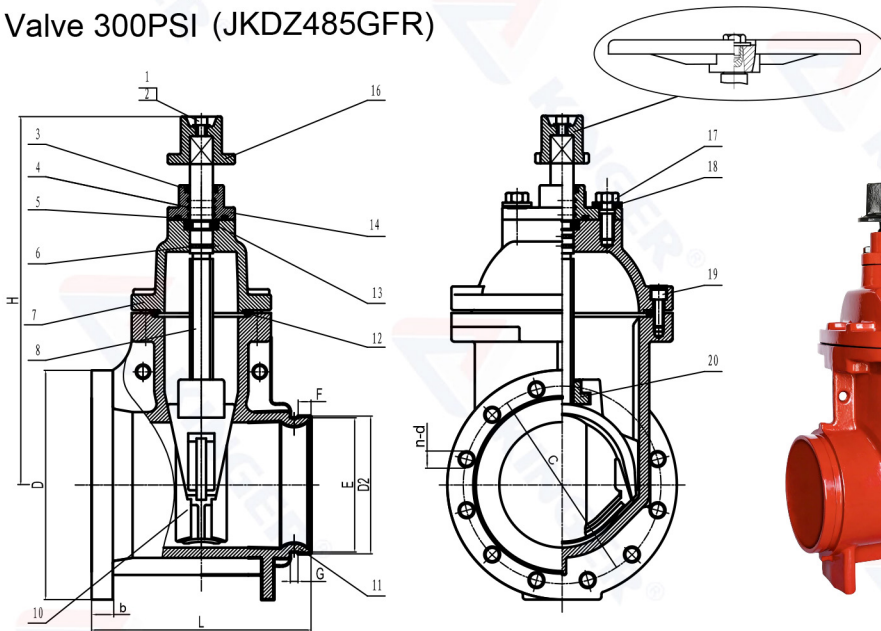


AWWA C515 Flanged x Grooved Resilient NRS Gate Valve 300PSI (JKDZ485GFR)



JKDZ485GFR

MATERIAL SPECIFICATION

PART NO.	Description	Material Specification	Options
1	Flat Washer	Stainless Steel 304	Stainless Steel 316
2	Hexagon Socket Screw	Stainless Steel 304	Stainless Steel 316
3	Sealing Ring	EPDM ASTM D2000	
4	O-Ring	EPDM ASTM D2000	
5	Sealing Ring	EPDM ASTM D2000	
6	O-Ring	EPDM ASTM D2000	
7	Bonnet	Ductile Iron ASTM A536	
8	Stem	Stainless Steel 304	Stainless Steel 316
10	Disc	EPDM ASTM D2000 +DI ASTM A536	
11	Body	Ductile Iron ASTM A536	
12	Sealing Ring	EPDM ASTM D2000	
13	Retaining Ring	ASTM B148 C95400	
14	Gland	Ductile Iron ASTM A536	
16	Wrench Nut	Ductile Iron ASTM A536	
17	Bolt	Stainless Steel 304	Stainless Steel 316
18	Washer	Stainless Steel 304	Stainless Steel 316
19	Hexagon Socket Screw	Stainless Steel 304	Stainless Steel 316
20	Stem Nut	ASTM B148 C95400	

Note: For special material request other than standard specification, please indicate clearly on the inquiry or order list.



JKDZ485GFPF

Item No.	Dimensions(Inch)											
	Size	Flange					Grooved				L	H
		D	C	b	n	d	D2	E	F	G		
JKDZ485GFR025	2.5	7.00	5.50	0.69	4	0.750	2.875 2.996	2.720 2.845	0.625	0.312	7.50	11.50
JKDZ485GFR03	3	7.50	6.00	0.75	4	0.750	3.500	3.344				
JKDZ485GFR04	4	9.00	7.50	0.94	8	0.750	4.500	4.334	0.625	0.375	9.00	13.46
JKDZ485GFR05	5	10.00	8.50	0.94	8	0.875	5.500 5.563	5.334 5.395	0.625	0.375	10.00	16.22
JKDZ485GFR06	6	11.00	9.50	1.00	8	0.875	6.500 6.625	6.335 6.455				
JKDZ485GFR08	8	13.50	11.75	1.12	8	0.875	8.625	8.441	0.750	0.438	11.50	21.02
JKDZ485GFR10	10	16.00	14.25	1.19	12	1.000	10.750	10.562	0.750	0.500	13.00	25.00
JKDZ485GFR12	12	19.00	17.00	1.25	12	1.000	12.750	12.531	0.750	0.500	14.00	28.35

- Connection Ends: Flange to ASME B16.1 CL 125/ ASME B16.42 CL 150
Groove to AWWA C606/ ISO 6182
- Working Pressure: 300PSI
- Temperature Range: 32°F - 176 °F
- Coating: Fusion Bonded Epoxy Coating in accordance with ANSI/AWWA C550

