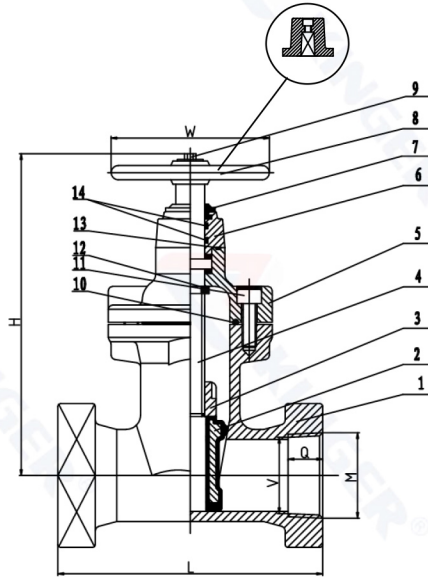


## AWWA C515 Thread Resilient NRS Gate Valve 250PSI (JQZ002)



With HandWheel



With Wrench Nut

### MATERIAL SPECIFICATION

Part No.	Description	Material Specification
1	Body	Ductile Iron ASTM A536
2	Wedge	EPDM ASTM D2000+DI ASTM A536
3	Stem Nut	Brass ASTM B283 C37700
4	Stem	Stainless Steel 304
5	Bonnet	Ductile Iron ASTM A536
6	Gland	Ductile Iron ASTM A536
7	Dust Cap	EPDM ASTM D2000
8	Handwheel/Wrench Nut	Ductile Iron ASTM A536
9	Bolts	Stainless Steel 304
10	Gasket	EPDM ASTM D2000
11	Bolts	Stainless Steel 304
12	O-Ring	EPDM ASTM D2000
13	O-Ring	EPDM ASTM D2000
14	O-Ring	EPDM ASTM D2000

Note: For special material request other than standard specification, please indicate clearly on the inquiry or order list. Both the hand wheel and the wrench are applicable.

Item No.	Dimensions(Inch)							
	Size	M (NPT)	V	Q	W	L	Handwheel	Wrench Nut
							H	H
JQZ002 02	2"	2"	1.97	0.79	7.09	7.24	9.84	10.63
JQZ002 025	2.5"	2.5"	2.56	1.14	7.09	7.50	10.39	11.02
JQZ002 03	3"	3"	3.15	1.22	7.87	8.00	11.22	11.61
JQZ002 04	4"	4"	3.94	1.30	9.84	9.00	14.17	14.96
JQZ002 06	6"	6"	5.91	1.52	9.84	10.50	17.28	17.72

- Threaded ends standard: ANSI B1.20.1
- Working Pressure: 250PSI
- Temperature Range: 32°F -176°F
- Coating: Fusion Bonded Epoxy Coating in accordance with ANSI/AWWA C550